



beatswireless.

USER GUIDE

Table of Contents

EN	Important Safety Information	5
	Keys and Parts	8
	Charge the Battery	9
	Switch On	10
	Switch Off	11
	Pairing	11
	Adjust the Volume	12
	Specifications	12
	Calls	13
	Disconnect the Headset	13
	Reconnect the Headset	13
	Listen to Music	14
	Clear Settings or Reset	14
	Passive Mode	14
	Using the Remote Mic	15
	FCC Warning	17
FR	Informations de sécurité importantes	20
	Touches et pièces	23
	Charger la batterie	24
	Allumer	25
	Éteindre	26
	Appariement	26
	Régler le volume	27
	Spécifications	27
	Appels	28
	Déconnecter le casque	28

	Reconnecter le casque	28
	Écouter de la musique	29
	Effacer les paramètres ou réinitialiser	29
	Mode passif	29
	Utilisation du microphone à distance	30
	Avertissement FCC	32
ES	Información de seguridad importante	35
	Teclas y piezas	38
	Carga de la batería	39
	Encendido	40
	Apagado	41
	Vinculación a un dispositivo	41
	Ajuste del volumen	42
	Especificaciones	42
	Llamadas	43
	Desconexión de los auriculares	43
	Reconexión de los auriculares	43
	Escuchar música	44
	Borrado de los ajustes o reinicio	44
	Modo pasivo	44
	Uso del micrófono remoto	45
	Advertencia de la FCC	47
IT	Importanti informazioni per la sicurezza	50
	Tasti e componenti	53
	Caricamento della batteria	54

	Accensione	55
	Spegnimento	56
	Associazione	56
	Regolazione del volume	57
	Specifiche	57
	Chiamate	58
	Scollegamento delle cuffie	58
	Ricollegamento delle cuffie	58
	Ascolto di musica	59
	Annullamento delle impostazioni o resettaggio	59
	Modalità passiva	59
	Uso del microfono con telecomando	60
	Avvertenza FCC	62
DE	Wichtige Sicherheitsinformationen	65
	Tasten und Teile	68
	Batterie laden	69
	Anschalten	70
	Abschalten	71
	Koppeln	71
	Lautstärke anpassen	72
	Technische Daten	72
	Telefongespräche	73
	Verbindung trennen	73
	Headset wieder verbinden	73
	Musik hören	74
	Einstellungen löschen oder Zurücksetzen	74

	Passiver Modus	74
	Verwendung des Remote-Mikrofons	75
	FCC Warnung	77
NL	Belangrijke veiligheidsinformatie	80
	Toetsen en onderdelen	83
	De batterij laden	84
	Inschakelen	85
	Uitschakelen	86
	Pairing	86
	Geluidssterkte aanpassen	87
	Specificaties	87
	Telefoneren	88
	De hoofdtelefoon ontkoppelen	88
	De hoofdtelefoon opnieuw verbinden	88
	Muziek beluisteren	89
	Instellingen wissen of resetten	89
	Passieve modus	89
	De externe microfoon gebruiken	90
	FCC-waarschuwing	92

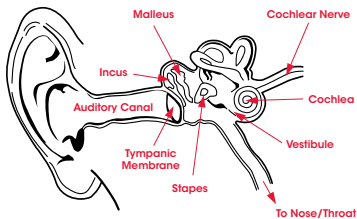


Important Safety Information

Listen Responsibly

To avoid hearing damage, make sure that the volume on your music player is turned down before connecting your headphones. After placing headphones in/on your ears, gradually turn up the volume until you reach a comfortable listening level. Noise levels are measured in decibels (dB); exposure to any noise at or above 85 dB can cause gradual hearing loss. Monitor your use; hearing loss is a function of loudness versus time. The louder it is, the less time you can be exposed to it. The softer it is, the more time you can listen to it.

Physiology of the Ear



UK English

This decibel (dB) table compares some common sounds and shows how they rank in potential harm to hearing.

SOUND	NOISE LEVEL (dB)	EFFECT
Whisper	30	Very quiet
Quiet Office	50-60	Comfortable hearing levels are under 60 dB
Vacuum Cleaner, Hair Dryer	70	Intrusive; interferes with telephone conversations
Food Blender	85-90	85 dB is the level at which hearing damage (8 hr) begins
Dustbin Lorry, Cement Mixer	100	No more than 15 minutes of unprotected exposure recommended for sounds between 90-100 dB
Power Saw, Drill/Jackhammer	110	Regular exposure to sound over 100 dB of more than 1 minute risks permanent hearing loss
Rock Concert (varies)	110-140	Threshold of pain begins around 125 dB

*Chart information from http://www.nidcd.nih.gov/health/education/teachers/pages/common_sounds.aspx

UK English

"... a typical person can safely listen to an iPod® for 4.6 hours per day at 70% volume."

"... knowing the levels one is listening to music at, and for how long, is extremely important."

From <http://www.cbc.ca/health/story/2006/10/19/music-earphones.html>

Get the most out of your equipment and enjoy great audio performance even at safe levels. Our headphones will allow you to hear more details at lower volume levels than ever before.

Use Responsibly

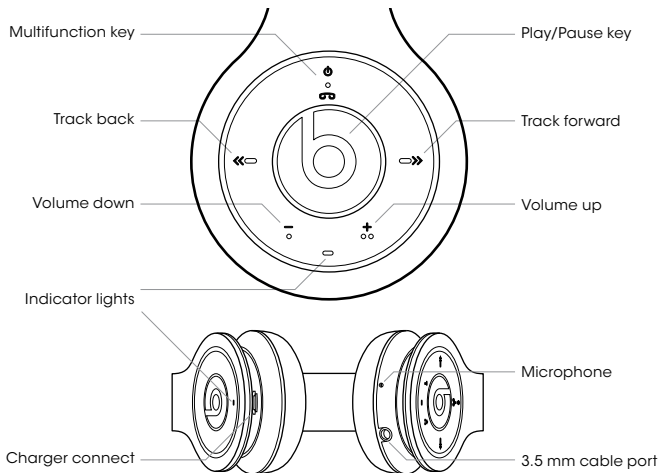
Do not use headphones when it's unsafe to do so – while operating a vehicle, crossing streets, or during any activity or in an environment where your full attention to your surroundings is required.

It is dangerous to drive while wearing headphones, and in many places illegal because it decreases your chances of hearing life-saving sounds outside of your vehicle, such as another car's horn and emergency vehicle sirens. Please avoid wearing your headphones while driving. Use an FM transmitter to listen to your mobile media devices instead.

Learn how to establish a safe listening level and review other important safety guidelines from the Consumer Electronics Association at www.ce.org and the Deafness Research Foundation at www.drff.org.

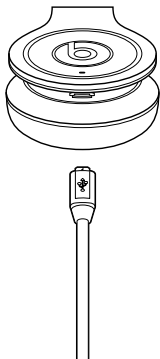
Keys and Parts

The headset contains the following parts:



Before using the headset, you must charge the battery and pair the headset with a compatible device.

Charge the Battery



The headset contains a Micro USB cable which can be connected to your computer or other device made for USB charging. Plug the Micro USB end of the included USB cable into the micro USB port charger connector under the left earcup of the headphone. Plug the other end into a USB port on your computer or other devices made for USB charging. The indicator light will be red while charging. Once fully charged, the indicator light will be a steady green. Charge time is one hour on an empty battery. The fully charged battery has power for up to 10 hours talking and/or music time and up to 100 hours standby time.

Note:

You can still enjoy your music while charging your headphone.

Warning:

(1) Please pay attention to the environmental aspects of battery disposal. Battery must be recycled or disposed of properly. (2) Batteries (battery pack or batteries installed) should not be exposed to excessive heat, such as sunshine, fire or the like.

Switch On



To switch on, press and hold the multifunction key for about two seconds.

The headset beeps ascending tones, and the blue indicator light is briefly displayed. When the headset tries to connect to the last used phone or music player, the red indicator light flashes slowly. When the headset is connected to a device and is ready for use, the blue indicator light flashes slowly. If the headset has not been paired with a device, it automatically enters the pairing mode.

Switch Off

To switch off, press and hold the multifunction key for about three seconds. The headset beeps descending tones, and the red indicator light is briefly displayed. If the headset is not connected to a device within 10 minutes, it switches off automatically.

Pairing

1. Ensure that your phone or music player is switched on.
2. To pair the headset if it has not been previously paired with a device, switch on the headset. The headset enters the pairing mode, and the blue and red indicator light starts to flash quickly. To pair the headset if it has been previously paired with another device, ensure that the headset is switched off, and press and hold the multifunction key (for about five seconds) until the blue and red indicator light starts to flash quickly.
3. Activate the Bluetooth® feature on your phone or music player, and set it to search for Bluetooth® devices.
4. Select "Beats Wireless™" from the list of found devices on your phone or music player.
5. If necessary, enter passcode 0000 to pair and connect the headset to your device.

Adjust the Volume

To adjust the headset volume, press the volume up or down key during a call or while listening to music. To adjust the volume quickly, press and hold either key.

Warning

Excessive sound pressure from earphones and headphones can cause hearing loss.

Specifications

Beats Wireless™ can make and receive calls hands-free with your compatible mobile phone and listen to music from a compatible music player, but they should be within 10 metres (33 feet) of each other.

The headset is compliant with the Bluetooth® Specification 2.1 + EDR and supports the following profiles: Headset Profile (HSP) V 1.2, Hands-Free Profile (HFP) V 1.5, Advanced Audio Distribution Profile (A2DP) V 1.0 and Audio Video Remote Control Profile (AVRCP) V 1.0. Input rating 5V DC, 0.5A.

Calls

To make a call, use your mobile phone in the normal way when the headset is connected to it. To activate voice dialling (if your phone supports this feature with the headset), when no call is in progress, press the multifunction key twice quickly until the phone starts voice dialling, and proceed as described in the phone user guide. To answer or end a call, quickly press the multifunction key.

To reject a call, press and hold the multifunction key for approximately two seconds. To mute or unmute the microphone during a call, press the play/pause key. To switch a call (in progress) from the headset to the connected phone, press and hold the multifunction key for about two seconds. To switch a call (in progress) from the phone to the headset, press and hold the multifunction key for about two seconds.

Disconnect the Headset

To disconnect the headset from your device, switch off the headset or disconnect it in the Bluetooth® menu of your device.

Reconnect the Headset

To connect the headset to the phone or music player which you have last used with it, switch on the headset or make the connection in the Bluetooth® menu of your device.

Listen to Music

To listen to music, connect the headset to a compatible music player which supports A2DP Bluetooth™ profile. The available music functions depend on your music player. If you receive or make a call while listening to music, the music is paused until the call ends. To play a song, select in the music player and press the Play/Pause key on the Beats Wireless™ headset. To pause or resume playing a song, press the Play/Pause key. To select the next song during playback, press the track forward key quickly. To select the previous song, press the track back key (once or twice) quickly. To scroll through the current song quickly, press and hold either key.

Clear Settings or Reset

To clear the pairing settings from the headset, switch off the headset and press and hold the multifunction and volume down keys (for over eight seconds) until the red and blue indicator lights alternate three times. To reset the headset, connect the headset to a charger and press both the multifunction and volume up keys.

Passive Mode

You can use Beats Wireless™ as a wired headphone to save batteries. Simply connect one end of the included CTU cable to the bottom of the earcup and the other to your MP3 player. Inserting an audio cable disables wireless functionality.

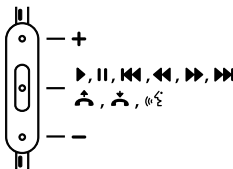
Using the Remote Mic

Beats Wireless™ comes equipped with a convenient remote mic cable allowing you to take calls and talk hands-free when Bluetooth® connectivity is not accessible. Some functionality will vary by phone model. Please consult your phone's owner manual.

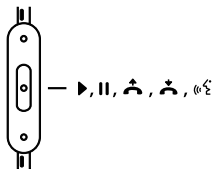
Functions include:

- Play ▶
- Pause ||
- Skip Forward/Backward ▶▶ ◀◀
- Scan Forward/Backward ▶▶◀◀
- Answer 📞
- End Call 📞
- Voice Command 🗨️
- Volume Control + -

iPod®, iPhone® & iPad®



HTC, Blackberry & Android



Note: Functionality varies by device.

Play or pause a song or video: Press and release the centre button. Repeat to resume.

Skip track forward or backward to next song or video: Press and release the centre button twice quickly to skip forward. Press and release three times quickly to skip back.

Scan forward or backward through a song or video: In quick motion, press the centre button twice, hold on the second press to scan forward. Release when you want to stop scanning. To scan back, press the centre button three times, holding on the third press.

Answer or end a call: Press and release the centre button once to answer. Repeat to end the call.

Decline an incoming call: Press and hold the centre button for two seconds, then release. There will be two beeps when you let go to indicate successful operation.

Voice Command: Press and hold the centre button until voice activation starts up. Functionality will vary by device.

Control volume: Press the top button to increase volume. Press the bottom button to decrease volume. Functionality will vary by device.

FCC Warning

FCC ID: COW81000012

This device complies with Part 15 of FCC Rules. Operation is subject to the following two conditions: (1) This device may not cause harmful interference, and (2) This device must accept any interference received, including interference which may cause undesired operation. Changes or modification not expressly approved by the party responsible for compliance could void the user's authority to operate the equipment. Connecting of peripherals requires the use of grounded shielded signal cables. The socket-outlet shall be installed near the equipment and shall be easily accessible.

Note

This equipment has been tested and found to comply with the limits for a Class B digital device, pursuant to Part 15 of the FCC Rules. These limits are designed to provide reasonable protection against harmful interference in a residential installation. This equipment generates, uses and can radiate radio frequency energy and, if not installed and used in accordance with the instructions, may cause harmful interference to radio communications. However, there is no guarantee that interference will not occur in a particular installation. If this equipment does cause harmful interference to radio or television reception, which can be determined by turning the equipment off and on, the user is encouraged to try to correct the interference by one or more of the following measures:

- Reorient or relocate the receiving antenna.
- Increase the separation between the equipment and receiver.
- Connect the equipment into an outlet on a circuit different from that to which the receiver is connected.
- Consult the dealer or an experienced radio/TV technician for help.

Caution

Changes or modifications not expressly approved by the party responsible for compliance could void the user's (or your) authority to operate the equipment.

Avoid storage in extreme heat or cold. Avoid exposure to liquids, temperature extremes and high humidity. The product's working temperature range is 0–45°C (32–113°F).

UK English

Europe—EU Declaration of Conformity

The equipment complies according to the Radio Equipment and Telecommunications Terminal Equipment Directive 1999/5/EC.

This equipment meets the following conformance standards:

Safety	EN 60065/A12:2011
Health	EN 62479:2010
EMC	EN 301 489-1 V1.8.1 EN 301 489-17 V2.1.1 EN 55013:2001+ A1:2003+ A2:2006 EN 55020:2007
Radio	EN 300 328 V1.7.1

C€0168

Register Your Beats® Today

www.beatsbydre.com/register

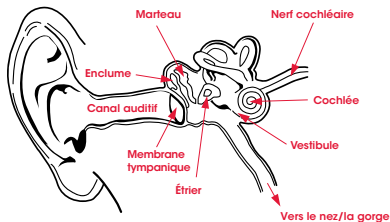


Informations de sécurité importantes

Écoutez en toute sécurité

Pour éviter des dommages auditifs, assurez-vous de baisser le volume du lecteur de musique avant de connecter vos écouteurs. Après avoir placé vos écouteurs dans/sur les oreilles, augmentez le volume graduellement jusqu'à ce que vous atteignez un niveau d'écoute confortable. Les niveaux sonores sont mesurés en décibels (dB) ; l'exposition à des sons de 85 dB ou supérieurs peut conduire à une perte auditive graduelle. Surveillez votre utilisation ; la perte auditive est une fonction du volume versus la durée. Plus le volume sonore est élevé, moins longue doit être l'exposition. Moins le volume est fort, plus l'écoute peut être longue.

Physiologie de l'oreille



Ce tableau des décibels (dB) compare des sons courants avec leurs risques potentiels de dommage auditif.

SON	NIVEAU SONORE (dB)	EFFET
Murmure	30	Très silencieux
Bureau calme	50-60	Des niveaux sonores confortables sont inférieurs à 60 dB
Aspirateur, sèche-cheveux	70	Intrusif ; interfère avec les conversations téléphoniques
Mixeur de cuisine	85-90	85 dB est le niveau auquel les dommages auditifs (8 heures) commencent
Camion de ramassage des ordures ménagères, bétonnière	100	Moins de 15 minutes d'exposition non protégée recommandée pour les sons entre 90 et 100 dB
Tronçonneuse, perceuse/ marteau-perforateur	110	Une exposition régulière à des niveaux sonores supérieurs à 100 dB pendant plus d'1 minute risque d'entraîner une perte auditive permanente
Concert de rock (varie)	110-140	Le seuil de douleur commence autour de 125 dB

*Tableau provenant de http://www.nidcd.nih.gov/health/education/teachers/pages/common_sounds.aspx

« ...une personne typique peut écouter un iPod® sans problème pendant 4,6 heures par jour à 70 % du volume. »

« ...il est extrêmement important de connaître les niveaux sonores et la durée d'écoute. »

D'après <http://www.cbc.ca/health/story/2006/10/19/music-earphones.html>

Profitez au maximum de votre appareil et jouissez d'une écoute exceptionnelle à des niveaux sûrs. Nos écouteurs vous permettent d'entendre plus de détails à des niveaux sonores plus bas que jamais.

Utilisez en toute sécurité

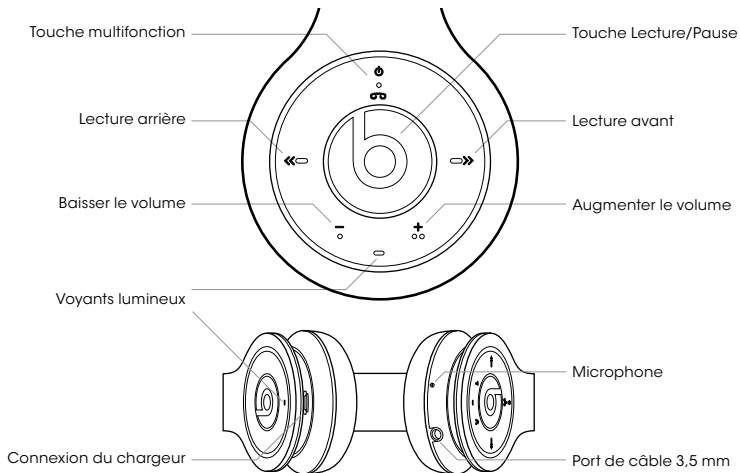
N'utilisez pas vos écouteurs lorsque c'est dangereux, par exemple en conduisant, en traversant la rue, lorsque vous êtes occupé à autre chose ou dans un environnement où vous devez faire attention à ce qui se passe autour de vous.

Il est dangereux et même illégal, dans la plupart des cas, de conduire avec des écouteurs, car cela diminue votre capacité d'entendre les sons à l'extérieur du véhicule, comme le klaxon d'une voiture ou les sirènes des véhicules de secours. Évitez d'utiliser vos écouteurs lorsque vous conduisez. Utilisez un transmetteur FM pour écouter vos appareils mobiles.

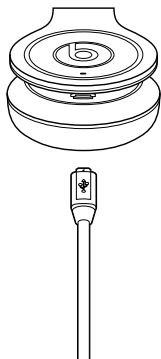
Apprenez à ajuster un niveau d'écoute sûr et découvrez d'autres directives de sécurité importantes de la Consumer Electronics Association sur www.ce.org et de la Deafness Research Foundation sur www.drff.org.

Touches et pièces

Le casque contient les pièces suivantes :



Avant d'utiliser le casque, vous devez charger la batterie et appairer le casque avec un appareil compatible.



Charger la batterie

Le casque contient un câble USB micro qui se connecte à votre ordinateur ou un autre appareil conçu pour le chargement USB. Connectez l'extrémité USB micro du câble USB fourni dans le connecteur de chargeur du port USB micro sous l'oreillette gauche du casque. Branchez l'autre extrémité à un port USB de votre ordinateur ou à d'autres appareils conçus pour le chargement USB. Le voyant lumineux sera rouge pendant le chargement. Une fois complètement chargé, le voyant lumineux devient vert. Il faut une heure pour charger complètement une batterie à vide. La batterie complètement chargée a une capacité de 10 heures en mode voix ou musique et jusqu'à 100 heures d'autonomie en veille.

Remarque :

Vous pouvez profiter de votre musique en rechargeant votre casque.

Avertissement :

(1) Veuillez prêter attention aux conséquences sur l'environnement lorsque vous disposez de la batterie. La batterie doit être recyclée ou éliminée de façon appropriée. (2) Les batteries (batterie ou piles installées) ne doivent pas être exposées à une chaleur excessive, comme le soleil ou les flammes.

Allumer



Pour allumer, appuyez sur la touche multifonction et maintenez appuyé pendant environ deux secondes.

Le casque émet un bip ascendant et le voyant lumineux bleu s'affiche brièvement. Lorsque le casque tente de se connecter au dernier téléphone ou lecteur de musique utilisé, le voyant rouge clignote lentement. Quand le casque est connecté à un périphérique et prêt à l'emploi, le voyant bleu clignote lentement. Si le casque n'a pas été couplé avec un appareil, il passe automatiquement en mode d'appariement.

Éteindre

Pour éteindre, appuyez sur la touche multifonction et maintenez appuyé pendant environ trois secondes. Le casque émet un bip descendant et le voyant lumineux rouge s'affiche brièvement. Si le casque n'est pas connecté à un appareil dans les 10 minutes, il s'éteint automatiquement.

Appariement

1. Assurez-vous que votre téléphone ou lecteur de musique est allumé.
2. Pour appairer le casque s'il n'a pas déjà été couplé avec un appareil, allumez le casque. Le casque entre en mode d'appariement, et le voyant lumineux bleu et rouge commence à clignoter rapidement. Pour appairer le casque s'il a déjà été couplé avec un autre appareil, assurez-vous que le casque est éteint, puis maintenez la touche multifonction enfoncée (pendant environ cinq secondes) jusqu'à ce que le voyant lumineux bleu et rouge commence à clignoter rapidement.
3. Activez la fonction Bluetooth® sur votre téléphone ou lecteur de musique et configurez-la pour rechercher les périphériques Bluetooth®.
4. Sélectionnez Beats Wireless™ dans la liste des appareils trouvés sur votre téléphone ou lecteur de musique.
5. Si nécessaire, entrez le code d'accès 0000 pour associer et connecter le casque à votre appareil.

Régler le volume

Pour régler le volume du casque, appuyez sur la touche Augmenter ou Baisser le volume pendant un appel ou lorsque vous écoutez de la musique. Pour régler le volume rapidement, maintenez la touche enfoncée.

Avertissement

Une pression sonore excessive des écouteurs ou du casque peut entraîner une perte auditive.

Spécifications

Beats Wireless™ peut émettre et recevoir des appels mains-libres avec votre téléphone mobile compatible et écouter de la musique à partir d'un lecteur de musique compatible, à condition que les appareils se trouvent à moins de 10 mètres (33 pieds) les uns des autres.

Le casque est conforme à la spécification Bluetooth® 2.1 + EDR et prend en charge les profils suivants : Headset Profile (HSP) V 1.2, Hands-Free Profile (HFP) V 1.5, Advanced Audio Distribution Profile (A2DP) V 1.0 et Audio Video Remote Control Profile (AVRCP) V 1.0. Entrée nominale 5V CC, 0,5A.

Appels

Pour effectuer un appel, utilisez votre téléphone mobile normalement lorsque le casque est connecté. Pour activer la numérotation vocale (si votre téléphone prend en charge cette fonctionnalité avec le casque), lorsqu'aucun appel n'est en cours, appuyez deux fois rapidement sur la touche multifonction jusqu'à ce que le téléphone commence la numérotation vocale, puis procédez comme décrit dans le guide d'utilisation du téléphone. Pour répondre ou terminer un appel, appuyez rapidement sur la touche multifonction.

Pour rejeter un appel, appuyez sur la touche multifonction et maintenez appuyé pendant environ deux secondes. Pour activer ou désactiver le microphone pendant un appel, appuyez sur la touche Lecture/Pause. Pour passer un appel (en cours) du casque vers le téléphone connecté, appuyez et maintenez la touche multifonction pendant environ deux secondes. Pour passer un appel (en cours) du téléphone vers le casque, appuyez et maintenez la touche multifonction pendant environ deux secondes.

Déconnecter le casque

Pour déconnecter le casque de votre appareil, éteignez le casque ou déconnectez-le dans le menu Bluetooth® de votre appareil.

Reconnecter le casque

Pour connecter le casque au téléphone ou lecteur de musique que vous avez récemment utilisé, allumez le casque ou établissez la connexion dans le menu Bluetooth® de votre appareil.

Écouter de la musique

Pour écouter de la musique, connectez le casque à un lecteur de musique compatible qui prend en charge le profil A2DP Bluetooth®. Les fonctions de musique disponibles dépendent de votre lecteur. Si vous recevez ou effectuez un appel tout en écoutant de la musique, la musique est en pause jusqu'à ce que l'appel se termine. Pour écouter une chanson, sélectionnez-la dans le lecteur, puis appuyez sur la touche Lecture/Pause sur le casque Beats Wireless™. Pour mettre en pause ou reprendre la lecture d'une chanson, appuyez sur la touche Lecture/Pause. Pour sélectionner la chanson suivante pendant la lecture, appuyez rapidement sur la touche de lecture avant. Pour sélectionner la chanson précédente, appuyez rapidement sur la touche retour (une ou deux fois). Pour faire défiler rapidement le morceau en cours, maintenez une de ces touches enfoncée.

Effacer les paramètres ou réinitialiser

Pour effacer les paramètres d'appariement du casque, éteignez-le, puis appuyez et maintenez la touche multifonction et la touche Baisser le volume (pendant plus de huit secondes) jusqu'à ce que le voyant rouge et bleu change à trois reprises. Pour réinitialiser le casque, connectez le casque à un chargeur et appuyez simultanément sur la touche multifonction et la touche Augmenter le volume.

Mode passif

Vous pouvez utiliser le casque Beats Wireless™ comme un appareil câblé pour économiser les batteries. Il suffit de brancher une extrémité du câble CTU au fond de l'oreillette et l'autre extrémité à votre lecteur MP3. L'insertion d'un câble audio désactive la fonctionnalité sans fil.

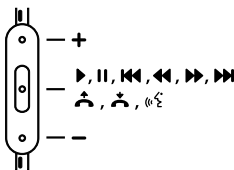
Utilisation du microphone à distance

Beats Wireless™ est équipé d'un câble de microphone à distance pratique, qui vous permet de prendre des appels et de parler en mode mains-libres lorsque la connectivité Bluetooth® n'est pas accessible. Certaines fonctionnalités varient selon le modèle de téléphone. Veuillez consulter le manuel de votre téléphone.

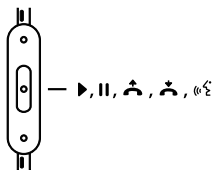
Les fonctions incluent :

- Lecture ▶
- Pause ||
- Saut avant/ arrière ▶▶ ◀◀
- Balayage avant/ arrière ▶▶ ◀◀
- Répondre 📞
- Terminer un appel 📞
- Commande vocale 🗣️
- Contrôle du volume + -

iPod®, iPhone® & iPad®



HTC, Blackberry & Android



Remarque : Les fonctionnalités varient selon les appareils.

Lecture ou pause d'une chanson ou vidéo : Appuyez sur le bouton central et relâchez. Appuyez à nouveau pour reprendre.

Faites un saut avant ou arrière sur la prochaine chanson ou vidéo : Appuyez deux fois rapidement sur le bouton central pour faire un saut avant. Appuyez trois fois rapidement pour faire un saut arrière.

Faites un balayage avant ou arrière dans une chanson ou une vidéo : Appuyez deux fois rapidement sur le bouton central, puis maintenez la deuxième pression pour balayer avant. Relâchez quand vous voulez arrêter le balayage. Pour faire un balayage arrière, appuyez trois fois sur le bouton central en maintenant la troisième pression.

Répondre ou terminer un appel : Appuyez une fois sur le bouton central, puis relâchez pour répondre. Répétez pour terminer l'appel.

Décliner un appel entrant : Appuyez sur le bouton central et maintenez pendant deux secondes, puis relâchez. Deux bips sonores vous indiquent que l'opération a réussi.

Commande vocale : Appuyez sur le bouton central et maintenez appuyé jusqu'à ce que l'activation vocale démarre. Les fonctionnalités varient selon les appareils.

Contrôler le volume : Appuyez sur le bouton supérieur pour augmenter le volume. Appuyez sur le bouton inférieur pour réduire le volume. Les fonctionnalités varient selon les appareils.

Avertissement FCC

FCC ID: COW81000012

Cet appareil est conforme à la Partie 15 des règlements de la FCC. Son fonctionnement est soumis aux deux conditions suivantes : (1) Cet appareil ne peut pas causer d'interférences nuisibles, et (2) Cet appareil doit accepter toute interférence reçue, y compris les interférences qui peuvent provoquer un fonctionnement indésirable. Les changements ou modifications non expressément approuvés par la partie responsable de la conformité pourraient annuler l'autorité de l'utilisateur à opérer l'équipement. La connexion de périphériques nécessite l'utilisation de câbles blindés à la terre. La prise de courant doit être installée près de l'équipement et facilement accessible.

Remarque

Cet équipement a été testé et trouvé conforme aux limites pour un dispositif numérique de classe B, conformément à la Partie 15 des règlements de la FCC. Ces limites sont conçues pour fournir une protection raisonnable contre les interférences nuisibles dans une installation résidentielle. Cet équipement génère, utilise et peut émettre des fréquences radio et, s'il n'est pas installé et utilisé conformément aux instructions, peut causer des interférences nuisibles aux communications radio. Cependant, il n'existe aucune garantie que des interférences ne se produiront pas dans une installation particulière. Si cet équipement provoque des interférences nuisibles à la réception radio ou de télévision, ce qui peut être déterminé en allumant et éteignant l'équipement, l'utilisateur est encouragé à essayer de corriger l'interférence par une ou plusieurs des mesures suivantes :

- Réorienter ou déplacer l'antenne de réception.
- Augmenter la distance entre l'équipement et le récepteur.
- Brancher l'appareil dans une prise sur un circuit différent de celui sur lequel est branché le récepteur.
- Consulter le revendeur ou un technicien radio/TV pour de l'aide.

Précaution

Les changements ou modifications non expressément approuvés par la partie responsable de la conformité pourraient annuler l'autorité de l'utilisateur (ou la vôtre) à opérer l'équipement.

Évitez le stockage dans la chaleur ou le froid extrême. Évitez l'exposition aux liquides, aux températures extrêmes et à la forte humidité. Le produit fonctionne dans une plage de température de 0–45°C (32–113°F).

Europe—Déclaration de conformité UE

L'équipement est conforme à la directive européenne 1999/5/CE R&TTE (Radio Equipment and Telecommunications Terminal Equipment).

Cet équipement répond aux normes de conformité suivantes :

Sécurité	EN 60065/A12:2011
Santé	EN 62479:2010
CEM	EN 301 489-1 V1.8.1 EN 301 489-17 V2.1.1 EN 55013:2001+ A1:2003+ A2:2006 EN 55020:2007
Radio	EN 300 328 V1.7.1

CE0168

Enregistrez votre Beats® aujourd'hui

www.beatsbydre.com/register

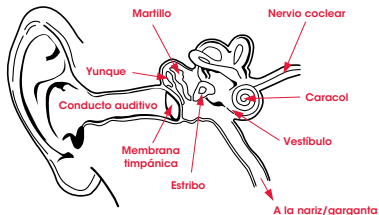


Información de seguridad importante

Escucha responsable

Para evitar daños auditivos, compruebe que el volumen del reproductor de música está bajado antes de conectar los auriculares. Después de colocarse los auriculares, suba gradualmente el volumen hasta llegar a un nivel de escucha cómodo. Los niveles de ruido se miden en decibelios (dB). La exposición a un nivel de ruido igual o superior a 85 dB puede causar una pérdida gradual de la audición. Controle el volumen de escucha: la pérdida de audición es una función del volumen y el tiempo. Cuanto más alto sea el volumen, menos tiempo se puede estar expuesto al mismo. Cuanto más bajo sea, mayor será el tiempo de exposición segura.

Fisiología del oído



Español

Esta tabla de decibelios (dB) compara algunos sonidos comunes y los clasifica en función de su potencial para causar daños auditivos.

SONIDO	NIVEL DE RUIDO (dB)	EFECTO
Susurro	30	Muy silencioso
Oficina silenciosa	50-60	Los niveles confortables de audición están por debajo de 60 dB
Aspiradora, secador de pelo	70	Molesto, dificulta las conversaciones telefónicas
Licuada	85-90	85 dB es el nivel al que comienzan los daños auditivos (8 horas)
Camión de basura, hormigonera	100	Se recomienda no exponerse más de 15 minutos sin protección a sonidos entre 90 y 100 dB
Motosierra, taladro o martillo neumático	110	La exposición habitual a sonidos de más de 100 dB durante más de 1 minuto puede producir una pérdida de audición permanente
Concierto de rock (varía)	110-140	El umbral del dolor se encuentra alrededor de los 125 dB

Información tomada de http://www.nidcd.nih.gov/health/education/teachers/pages/common_sounds.aspx

"...una persona normal puede escuchar de forma segura un iPod® durante 4,6 horas al día, al 70% de volumen".

"...es extremadamente importante conocer los niveles de volumen y el tiempo de escucha".

De <http://www.cbc.ca/health/story/2006/10/19/music-earphones.html>

Puede sacar el máximo partido de su equipo y disfrutar de una extraordinaria calidad de sonido manteniendo niveles de volumen seguros. Nuestros auriculares le permitirán apreciar más detalles con menores niveles de volumen.

Uso responsable

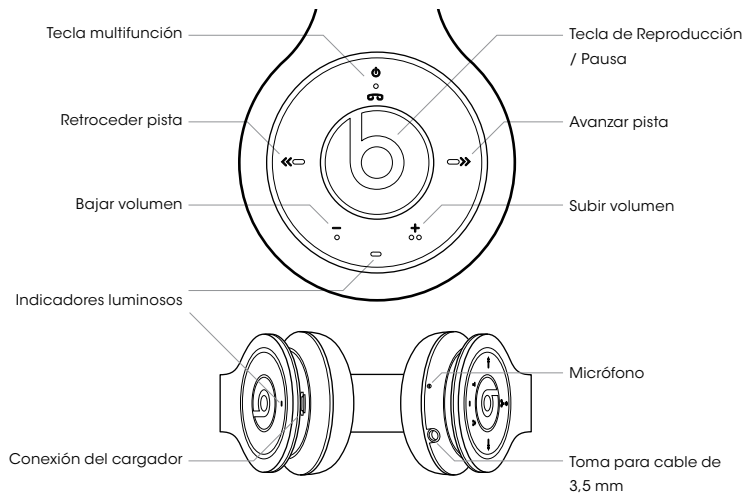
No utilice los auriculares cuando no resulte seguro hacerlo: -al conducir un vehículo, cruzando la calle o durante cualquier actividad o en un entorno en el que deba poner toda su atención a lo que le rodea.

Es peligroso conducir con auriculares (y en muchos lugares es ilegal) ya que disminuye las posibilidades de oír sonidos importantes procedentes del exterior del vehículo, como el claxon de otro coche o las sirenas de los vehículos de emergencia. Evite el uso de los auriculares mientras conduce. Puede usar un transmisor de FM para escuchar sus dispositivos portátiles.

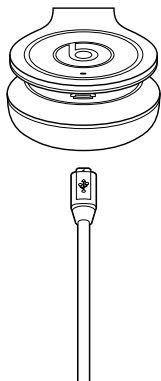
Puede aprender a establecer un nivel seguro de audición y revisar otras directrices de seguridad importantes en la página web de la Consumer Electronics Association (Asociación del sector de productos electrónicos de consumo, www.ce.org) y la Deafness Research Foundation (Fundación para la investigación de la sordera, www.drf.org).

Teclas y piezas

Los auriculares están formados por las siguientes piezas:



Antes de usar los auriculares, debe cargar la batería y vincular los auriculares a un dispositivo compatible.



Carga de la batería

Los auriculares incorporan un cable micro-USB que puede conectarse a una computadora u otro dispositivo que permita la carga por USB. Conecte el extremo micro-USB del cable USB al conector de carga con puerto micro-USB en la parte inferior del auricular izquierdo. Conecte el otro extremo a un puerto USB de su computadora o de otro dispositivo que permita la carga por USB. El indicador luminoso se encenderá de color rojo durante la carga. Una vez terminada la carga, el indicador quedará de color verde. El tiempo de carga de una batería vacía es de una hora. La batería completamente cargada permite un máximo de 10 horas de conversación o música y hasta 100 horas en espera.

Nota:

Mientras se cargan los auriculares puede seguir disfrutando de su música.

Advertencia:

- (1) Por favor, tenga en cuenta los aspectos medioambientales al deshacerse de la batería. Debe reciclarse o desecharse de manera adecuada.
- (2) Las baterías (el paquete de baterías o las baterías instaladas) no deben exponerse a un calor excesivo, como la luz directa del sol, el fuego o condiciones similares.



Encendido

Para encender los auriculares, mantenga presionada la tecla multifunción durante dos segundos.

Los auriculares emiten una serie de tonos ascendentes, y el indicador azul se ilumina brevemente. Cuando los auriculares intentan conectarse al último teléfono o reproductor de música utilizado, el indicador luminoso rojo parpadea lentamente. Cuando los auriculares están conectados a un dispositivo y están listos para usarse, el indicador luminoso azul parpadea lentamente. Si los auriculares no se han vinculado a un dispositivo, entran automáticamente en el modo de vinculación.

Apagado

Para apagar los auriculares, mantenga presionada la tecla multifunción durante tres segundos. Los auriculares emiten una serie de tonos descendentes, y el indicador rojo se ilumina brevemente. Si los auriculares no se conectan a un dispositivo en 10 minutos, se apagan automáticamente.

Vinculación a un dispositivo

1. Compruebe que su teléfono o reproductor de música está encendido.
2. Para vincular los auriculares, si no se han vinculado previamente a un dispositivo, enciéndalos. Los auriculares entran en modo de vinculación, y el indicador luminoso azul y rojo comienza a parpadear rápidamente. Para vincular los auriculares, si ya se han vinculado previamente a otro dispositivo, compruebe que estén apagados y mantenga presionada la tecla multifunción (durante unos cinco segundos) hasta que el indicador luminoso azul y rojo comience a parpadear rápidamente.
3. Active la función Bluetooth® en su teléfono o reproductor de música, y configúrela para buscar dispositivos Bluetooth®.
4. Seleccione "Beats Wireless™" de la lista de dispositivos encontrados en su teléfono o reproductor de música.
5. Si es necesario, introduzca la contraseña 0000 para vincular y conectar los auriculares al dispositivo.

Ajuste del volumen

Para ajustar el volumen de los auriculares, presione la tecla de subir o bajar el volumen durante una llamada o mientras escucha música. Para ajustar el volumen de forma rápida, mantenga presionada la tecla correspondiente.

Advertencia

Una presión sonora excesiva proveniente de auriculares puede provocar pérdidas de audición.

Especificaciones

Beats Wireless™ permite hacer y recibir llamadas en modo "manos libres" con su teléfono móvil compatible y escuchar música desde un reproductor de música compatible, pero deben estar a menos de 10 metros.

Los auriculares son compatibles con la especificación Bluetooth® 2.1 + EDR y admite los siguientes perfiles: Perfil de auriculares (HSP) V 1.2, perfil de manos libres (HFP) V 1.5, perfil de distribución avanzada de audio (A2DP) V 1.0 y perfil de control remoto de audio y vídeo (AVRCP) V 1.0. Valores nominales de entrada: 5 VCC, 0,5 A.

Llamadas

Para realizar una llamada, utilice el teléfono móvil de forma normal con los auriculares conectados al mismo. Para activar la marcación por voz (si su teléfono admite esta función con los auriculares), cuando no haya llamadas en curso, presione dos veces y rápidamente la tecla multifunción hasta que el teléfono inicie la marcación por voz, y siga las instrucciones de la guía del usuario del teléfono. Para responder o finalizar una llamada, presione rápidamente la tecla multifunción.

Para rechazar una llamada, mantenga presionada la tecla multifunción durante dos segundos. Para activar o desactivar el micrófono durante una llamada, presione la tecla de reproducción / pausa. Para pasar una llamada (en curso) de los auriculares al teléfono conectado, mantenga presionada la tecla multifunción durante unos dos segundos. Para pasar una llamada (en curso) del teléfono a los auriculares, mantenga presionada la tecla multifunción durante unos dos segundos.

Desconexión de los auriculares

Para desconectar los auriculares del dispositivo, apáguelos o desconéctelos en el menú Bluetooth® del dispositivo.

Reconexión de los auriculares

Para conectar los auriculares al último teléfono o reproductor de música con el que los haya utilizado, encienda los auriculares o realice la conexión en el menú Bluetooth® del dispositivo.

Escuchar música

Para escuchar música, conecte los auriculares a un reproductor de música compatible que admita el perfil A2DP Bluetooth®. Las funciones de música disponibles dependen de su reproductor de música. Si recibe o realiza una llamada mientras escucha música, la reproducción de música se pone en pausa hasta que finaliza la llamada. Para reproducir una canción, selecciónela en el reproductor de música y presione la tecla de reproducción / pausa en los auriculares Beats Wireless™. Para poner en pausa o reanudar la reproducción de una canción, presione la tecla de reproducción / pausa. Para pasar a la siguiente canción durante la reproducción, presione brevemente la tecla de avance de pista. Para pasar a la canción anterior, presione brevemente la tecla de retroceso de pista (una o dos veces). Para desplazarse a través de la canción actual de forma rápida, mantenga presionada la tecla correspondiente.

Borrado de los ajustes o reinicio

Para borrar los ajustes de vinculación de los auriculares, apáguelos y mantenga presionadas las teclas multifunción y bajar volumen (durante más de ocho segundos) hasta que el indicador luminoso rojo y azul se ilumine tres veces de forma alterna. Para reiniciar los auriculares, conéctelos a un cargador y presione las teclas multifunción y subir volumen.

Modo pasivo

Los auriculares Beats Wireless™ se pueden utilizar con cable para ahorrar batería. Simplemente conecte un extremo del cable CTU que se incluye a la parte inferior del auricular y el otro a su reproductor de MP3. Cuando se conecta un cable de audio se desactiva la función inalámbrica.

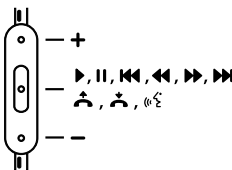
Uso del micrófono remoto

Beats Wireless™ viene equipado con un cable de micrófono remoto que permite recibir llamadas y hablar en modo "manos libres" cuando no se dispone de conectividad Bluetooth®. El funcionamiento varía según el modelo de teléfono. Consulte el manual del teléfono.

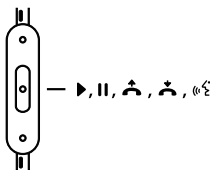
Entre sus funciones se incluyen:

- Reproducción ▶
- Pausa ||
- Salto hacia delante / hacia atrás ►► ◀◀
- Avance / retroceso ►► ◀◀
- Contestar 📞
- Terminar llamada 📞
- Orden de voz 🗣️
- Control de volumen + -

iPod®, iPhone® y iPad®



HTC, Blackberry y Android



Nota: Las funciones varían según el dispositivo.

Reproducir o poner en pausa una canción o vídeo: presione y suelte el botón central. Repita el procedimiento para reanudar la reproducción.

Saltar hacia delante o hacia atrás a la canción o vídeo siguiente o anterior: presione y suelte el botón central rápidamente dos veces para saltar hacia delante. Presione y suelte rápidamente tres veces para saltar hacia atrás.

Avanzar o retroceder en una canción o vídeo: en un movimiento rápido, presione el botón central dos veces, manteniendo el botón presionado la segunda vez para avanzar. Suelte el botón para detener el avance. Para retroceder, presione el botón central tres veces, manteniendo el botón presionado la tercera vez.

Contestar o terminar una llamada: presione y suelte el botón central para contestar. Repita el procedimiento para terminar la llamada.

Rechazar una llamada entrante: mantenga presionado el botón central durante dos segundos, y luego suéltelo. Cuando lo suelte, dos pitidos indicarán que se ha rechazado correctamente la llamada.

Orden de voz: mantenga presionado el botón central hasta que se inicie la activación por voz. El funcionamiento varía según el dispositivo.

Control del volumen: para aumentar el volumen, presione el botón superior. Para disminuir el volumen, presione el botón inferior. El funcionamiento varía según el dispositivo.

Advertencia de la FCC

Identificación de la FCC: COW81000012

Este dispositivo cumple lo dispuesto en la Parte 15 de las normas de la FCC. Su utilización está sujeta a las dos condiciones siguientes: (1) Este dispositivo no puede causar interferencias perjudiciales y (2) este dispositivo debe aceptar cualquier interferencia recibida, incluidas aquellas que pudieran provocar un funcionamiento no deseado. Los cambios o modificaciones no aprobados expresamente por el responsable del cumplimiento de dichas normas pueden suponer la inhabilitación del usuario para el uso del equipo. La conexión de periféricos requiere el uso de cables de señal apantallados y con toma de tierra. La toma de corriente debe estar situada cerca del equipo y ser fácilmente accesible.

Nota

Tras efectuar los ensayos correspondientes, se ha determinado que este equipo cumple con los límites establecidos para un dispositivo digital de Clase B, de acuerdo con la Parte 15 de las normas de la FCC. Estos límites fueron concebidos con el objeto de brindar una protección razonable contra interferencias perjudiciales en instalaciones residenciales. Este equipo genera, usa y puede radiar energía de radiofrecuencia y, si no se instala y se utiliza siguiendo las instrucciones, puede causar interferencias perjudiciales para las comunicaciones de radio. Sin embargo, no hay garantías de que no se produzca algún tipo de interferencia en alguna instalación en particular. Si este equipo causa interferencias perjudiciales para la recepción de radio o

televisión, lo cual puede determinarse apagando y encendiendo el equipo, se recomienda al usuario que trate de corregir la interferencia adoptando alguna de las siguientes medidas

- Reoriente o reubique la antena receptora.
- Aumente la separación entre el equipo y el receptor.
- Enchufe el equipo a una toma de corriente que se encuentre en un circuito diferente al del receptor.
- Consulte con el distribuidor o con un técnico experto en radio y televisión para obtener ayuda.

Precaución

Los cambios o modificaciones no aprobados expresamente por el responsable del cumplimiento de las normas pueden suponer la inhabilitación del usuario (o de usted) para el uso del equipo.

Evite el almacenamiento en lugares con temperaturas extremas. Evite exponer los auriculares al contacto con líquidos, temperaturas extremas y humedad alta. El intervalo de temperaturas de funcionamiento del equipo es de 0–45°C (32–113°F).

Europa—Declaración de conformidad de la UE

Este equipo cumple las normas de la Directiva 1999/5/CE sobre equipos radioeléctricos y equipos terminales de telecomunicación.

Este equipo cumple las siguientes normas de conformidad:

Seguridad	EN 60065/A12:2011
Salud	EN 62479:2010
Compatibilidad electromagnética	EN 301 489-1 V1.8.1 EN 301 489-17 V2.1.1 EN 55013:2001+ A1:2003+ A2:2006 EN 55020:2007
Radio	EN 300 328 V1.7.1

CE0168

Registre su producto Beats® hoy

www.beatsbydre.com/register

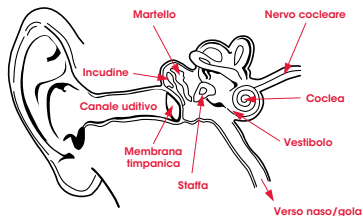


Importanti informazioni per la sicurezza

Ascolto responsabile

Per evitare danni all'udito, assicurarsi che il volume del lettore musicale sia al minimo prima di collegare gli auricolari. Dopo aver sistemato le cuffie sulle orecchie, alzare gradualmente il volume fino a raggiungere un livello di ascolto gradevole. I livelli di rumore vengono misurati in decibel (dB); l'esposizione a qualsiasi tipo di rumore di valore pari o superiore a 85 dB può causare la graduale perdita dell'udito. Prestare attenzione durante l'utilizzo; la perdita dell'udito è espressa da una funzione che mette in relazione il rumore ed un intervallo di tempo. Più alto è il volume, meno tempo ci si può esporre. Più basso è il volume, più tempo si può rimanere in ascolto.

Fisiologia dell'orecchio



Questa tabella dei decibel (dB) confronta alcuni rumori comuni e visualizza in che ordine si rivelano dei potenziali danni per l'udito.

SUONO	LIVELLO DI RUMORE (dB)	EFFETTO
Sussurro	30	Molto tranquillo
Ufficio tranquillo	50-60	Sotto i 60 dB i livelli acustici sono perfettamente sopportabili
Aspirapolvere, asciugacapelli	70	Intrusivo; interferisce con le conversazioni telefoniche
Frullatore	85-90	85 dB è il livello al quale iniziano i danni all'udito (8 ore)
Camion dell'immondizia, betoniera	100	Per i suoni che si collocano fra i 90 e i 100 dB non si consiglia un'esposizione di durata superiore ai 15 minuti
Sega circolare, trapano/ martello pneumatico	110	Un'esposizione regolare a suoni superiori ai 100 dB per più di 1 minuto rischia di provocare danni permanenti all'udito
Concerto rock (può variare)	110-140	La soglia del dolore inizia intorno ai 125 dB

*Informazioni della tabella ottenute dal sito http://www.nidcd.nih.gov/health/education/teachers/pages/common_sounds.aspx

"...in media una persona può ascoltare in sicurezza un iPod® per 4,6 ore al giorno al 70% del volume."

"... è molto importante conoscere il livello del volume a cui si ascolta la musica e per quanto tempo si rimane in ascolto."

Informazioni tratte dal sito <http://www.cbc.ca/health/story/2006/10/19/music-earphones.html>

Traete il massimo vantaggio dal vostro supporto audio e godetevi straordinarie performance anche a livelli di volume sicuri. Le nostre cuffie vi consentiranno di sentire più dettagli a volumi inferiori rispetto a prima.

Uso responsabile

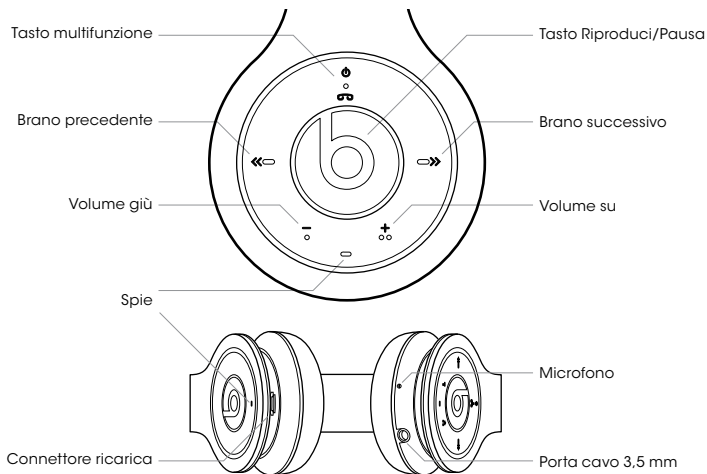
Non utilizzare le cuffie quando non lo si può fare in assoluta sicurezza – mentre si guida un veicolo, mentre si attraversa la strada o durante qualsiasi attività o in qualsiasi situazione in cui è necessaria la totale consapevolezza dell'ambiente circostante.

È pericoloso guidare mentre si indossano le cuffie e in molti posti è illegale, poiché esse riducono la capacità di udire suoni provenienti dall'esterno del veicolo che potrebbero salvare vite umane, come ad esempio il clacson di un'altra auto o le sirene dei veicoli d'emergenza. Evitate di indossare le cuffie mentre siete alla guida. In alternativa, utilizzate uno dei trasmettitori FM per ascoltare la musica dai vostri dispositivi mobili.

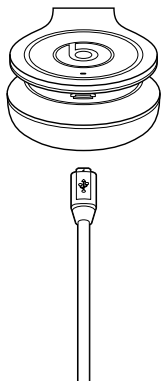
Imparate come stabilire un livello sicuro di ascolto e scaricate altre importanti indicazioni riguardanti la sicurezza dalla Consumer Electronics Association sul sito www.ce.org e dalla Deafness Research Foundation sul sito www.drf.org.

Tasti e componenti

Le cuffie contengono i seguenti componenti:



Prima di utilizzare le cuffie, è necessario caricare la batteria e associare le cuffie con un dispositivo compatibile.



Caricamento della batteria

Le cuffie contengono un cavo USB Micro che può essere collegato al vostro computer o ad altro dispositivo per il caricamento USB. Collegate il terminale USB Micro del cavo USB in dotazione al connettore del caricabatterie della porta USB sotto la coppa auricolare sinistra della cuffia. Collegate l'altra estremità in una porta USB del computer o di altri dispositivi per il caricamento USB. Durante la carica della batteria, la spia si illumina di rosso. Quando la batteria è completamente carica, la spia si illumina di una luce verde stabile. Il caricamento di una batteria scarica dura un'ora. Quando è completamente carica, la batteria ha un'autonomia di massimo 10 ore in conversazione e/o in ascolto della musica oppure di massimo 100 ore in standby.

Nota:

Durante la carica, potete tranquillamente ascoltare la vostra musica.

Avvertenza:

- (1) È necessario prestare attenzione agli aspetti ambientali dello smaltimento delle batterie. Le batterie devono essere riciclate o smaltite in modo idoneo.
- (2) Le batterie (in confezione o installate) non devono essere esposte alla luce diretta del sole, al fuoco o ad altre fonti di calore eccessivo.



Accensione

Per accendere, premete e tenete premuto il tasto multifunzione per circa due secondi.

Le cuffie emettono un segnale acustico con tonalità ascendente e la spia verde appare per un breve periodo di tempo. Quando le cuffie cercano di collegarsi all'ultimo telefono o lettore musicale utilizzato, la spia rossa lampeggia lentamente. Quando le cuffie vengono collegate a un dispositivo e sono pronte all'uso, la spia blu lampeggia lentamente. Se le cuffie non sono state associate ad alcun dispositivo, viene attivata automaticamente la modalità di associazione.

Spegnimento

Per spegnere, premete e tenete premuto il tasto multifunzione per circa tre secondi. Le cuffie emettono un segnale acustico con tonalità ascendente e compare brevemente la spia blu. Se le cuffie non vengono collegate a un dispositivo entro 10 minuti, si spengono automaticamente.

Associazione

1. Assicuratevi che il vostro telefono o lettore musicale sia acceso.
2. Accendete le cuffie se non sono mai state associate a un dispositivo. Le cuffie entrano in modalità di associazione e la spia rossa e blu inizia a lampeggiare rapidamente. Se le cuffie sono già state associate a un dispositivo, assicuratevi che siano spente, e premete e tenete premuto il tasto multifunzione (per circa cinque secondi) fino a quando la spia rossa e blu inizia a lampeggiare rapidamente.
3. Attivate la funzione Bluetooth® sul vostro telefono o lettore musicale, e impostate la ricerca dei dispositivi Bluetooth®.
4. Sul telefono o lettore musicale, selezionate "Beats Wireless™" dall'elenco dei dispositivi trovati.
5. Se necessario, digitate il codice di protezione 0000 per associare e collegare le cuffie al dispositivo.

Regolazione del volume

Per regolare il volume delle cuffie, premete il tasto Volume su o giù durante una telefonata o mentre ascoltate della musica. Per regolare rapidamente il volume, premete e tenete premuto uno dei due tasti.

Avvertenza

Un'eccessiva pressione sonora da auricolari e cuffie può causare la perdita dell'udito.

Specifiche

Le cuffie Beats Wireless™ vi consentono di effettuare e ricevere chiamate in modalità vivavoce con il vostro telefono cellulare compatibile e di ascoltare musica da un lettore musicale compatibile, ma questi dovranno trovarsi a una distanza massima di 10 metri.

Le cuffie sono conformi alle specifiche Bluetooth® 2.1 + EDR e supportano i seguenti profili: Headset Profile (HSP) V 1.2, Hands-Free Profile (HFP) V 1.5, Advanced Audio Distribution Profile (A2DP) V 1.0 e Audio Video Remote Control Profile (AVRCP) V 1.0. Valore d'ingresso 5V CC, 0,5A.

Chiamate

Per effettuare una chiamata, utilizzate il vostro telefono cellulare normalmente quando le cuffie sono collegate. Per attivare la funzione di composizione vocale (se il vostro telefono supporta questa funzione con le cuffie), quando non è in corso alcuna chiamata, premete il tasto multifunzione due volte rapidamente fino a quando il telefono attiva la composizione vocale, e procedete secondo la modalità descritta nel manuale del telefono. Per rispondere a una chiamata o terminarla, premete rapidamente il tasto multifunzione.

Per rifiutare una chiamata, premete e tenete premuto il tasto multifunzione per circa due secondi. Per attivare o disattivare l'audio del microfono durante una chiamata, premete il tasto Riproduci/Pausa. Per trasferire una chiamata (in corso) dalle cuffie al telefono collegato, premete e tenete premuto il tasto multifunzione per circa due secondi. Per trasferire una chiamata (in corso) dal telefono alle cuffie al telefono, premete e tenete premuto il tasto multifunzione per circa due secondi.

Scollegamento delle cuffie

Per scollegare le cuffie dal vostro dispositivo, disattivate le cuffie oppure scollegatele dal menu Bluetooth® del vostro dispositivo.

Ricollegamento delle cuffie

Per collegare le cuffie al telefono o al lettore musicale con il quale le avete precedentemente utilizzate, accendete le cuffie oppure collegatele tramite il menu Bluetooth® del vostro dispositivo.

Ascolto della musica

Per ascoltare la vostra musica, collegate le cuffie a un lettore musicale compatibile che supporta il profilo Bluetooth® A2DP. Le funzioni musicali a disposizione dipendono dal vostro lettore musicale. Se ricevete o effettuate una chiamata durante l'ascolto della musica, la musica viene interrotta fino alla fine della chiamata. Per riprodurre un brano, selezionatelo nel lettore musicale e premete il tasto Riproduci/Pausa sulle cuffie Beats Wireless™. Per interrompere o riprendere la riproduzione di un brano, premete il tasto Riproduci/Pausa. Per selezionare il brano successivo durante la riproduzione, premete rapidamente il tasto Brano successivo. Per selezionare il brano precedente, premete rapidamente il tasto Brano precedente (una o due volte). Per scorrere rapidamente il brano corrente, premete e tenete premuto uno dei due tasti.

Annullamento delle impostazioni o resettaggio

Per annullare le impostazioni di associazione dalle cuffie, spegnete le cuffie e premete e tenete premuti i tasti multifunzione e Volume giù (per oltre otto secondi) fino a quando le spie rosse e blu lampeggiano alternativamente tre volte. Per resettare le cuffie, collegate le cuffie a un caricabatterie e premete i tasti multifunzione e Volume giù.

Modalità passiva

Per evitare di consumare le batterie, è possibile utilizzare Beats Wireless™ collegandole al cavo. Basta collegare un'estremità del cavo CTU in dotazione alla parte inferiore della coppa auricolare e l'altra estremità al lettore MP3. L'inserimento di un cavo audio disattiva la funzionalità wireless.

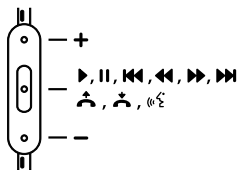
Uso del microfono con telecomando

Le cuffie Beats Wireless™ sono dotate di un comodo cavo con microfono con telecomando che consente di accettare chiamate e parlare in modalità vivavoce laddove la connettività Bluetooth® non è accessibile. Alcune funzionalità variano a seconda del modello di telefono. Vi preghiamo di consultare il manuale del vostro telefono.

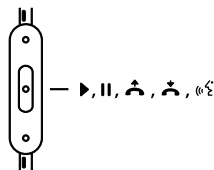
Le funzioni comprendono:

- Riproduci ▶
- Pausa ||
- Salta in avanti/
indietro ►► ◀◀
- Scansione in avanti/
indietro ►► ◀◀
- Rispondi 📞
- Termina chiamata 📞
- Comando vocale 🗣️
- Regolazione volume + -

iPod®, iPhone® e iPad®



HTC, Blackberry e Android



Nota: la funzionalità varia a seconda del dispositivo.

Riproduci o metti in pausa una canzone o un video: Premere e rilasciare il pulsante centrale. Ripetere la procedura per riprendere la riproduzione.

Salta avanti o indietro alla canzone o al video successivo o precedente: Premere e rilasciare il pulsante centrale due volte in modo rapido per saltare avanti. Premere e rilasciare tre volte rapidamente per saltare indietro.

Scansione in avanti o indietro all'interno di una canzone o di un video: In rapida successione, premere il pulsante centrale due volte e trattenere più a lungo la seconda pressione per eseguire la scansione in avanti. Rilasciare quando si desidera arrestare la scansione. Per eseguire la scansione indietro, premere il pulsante centrale tre volte, trattenendo più a lungo la terza pressione.

Rispondi o termina una chiamata: Premere e rilasciare il pulsante centrale una volta per rispondere. Ripetere la procedura per terminare la chiamata.

Rifiuta una chiamata in arrivo: Premere e tenere premuto il pulsante centrale per due secondi, quindi rilasciare. Al rilascio seguiranno due bip che indicano la buona riuscita dell'operazione.

Comando vocale: Premere e tenere premuto il pulsante centrale fino all'avviamento dell'attivazione vocale. La funzionalità varierà a seconda del dispositivo.

Regolazione del volume: Premere il pulsante superiore per alzare il volume. Premere il pulsante inferiore per abbassare il volume. La funzionalità varierà a seconda del dispositivo.

Avvertenza FCC

FCC ID: COW81000012

Questo dispositivo è conforme alla Parte 15 delle norme FCC. Il funzionamento è soggetto alle due seguenti condizioni: (1) Questo dispositivo non deve causare interferenze nocive, e (2) Questo dispositivo deve accettare ogni interferenza ricevuta, incluse interferenze che potrebbero causare alterazioni indesiderate del funzionamento. Alterazioni o modifiche non espressamente approvate dall'ente responsabile per la conformità potrebbero invalidare il diritto dell'utente (o vostro) all'utilizzo dell'apparecchio. Il collegamento di periferiche richiede l'uso di cavi di segnale schermati a massa. La presa sarà installata nelle vicinanze dell'apparecchiatura in modo da essere facilmente accessibile.

Nota

Questa apparecchiatura è stata testata ed è risultata conforme ai limiti stabiliti per i dispositivi digitali di Classe B, secondo le specifiche della Parte 15 delle normative FCC. Questi limiti hanno lo scopo di garantire una protezione adeguata dalle interferenze dannose che possono originarsi quando l'apparecchiatura viene utilizzata in ambiente domestico. Questa apparecchiatura genera, utilizza e può diffondere energia a radiofrequenza. Se non viene installata e utilizzata in conformità con le istruzioni del produttore può dare luogo a interferenze nella ricezione degli apparecchi radio. Non è comunque garantita l'assenza di interferenze in alcune installazioni. Qualora questa apparecchiatura dovesse provocare interferenze nella ricezione radiotelevisiva, cosa verificabile spegnendo e riaccendendo

l'apparecchiatura, si consiglia di eliminare l'interferenza in uno dei seguenti modi:

- Riorientare o riposizionare l'antenna ricevente.
- Aumentare la distanza che separa l'apparecchiatura dal ricevitore.
- Collegare l'apparecchio alla presa di un circuito diverso da quello a cui si è collegato il ricevitore.
- Rivolgersi al rivenditore o a un tecnico esperto.

Attenzione

Alterazioni o modifiche non espressamente approvate dall'ente responsabile per la conformità potrebbero invalidare il diritto dell'utente (o vostro) all'utilizzo dell'apparecchio.

Evitare di conservare le cuffie in ambienti troppo caldi o troppo freddi. Evitare l'esposizione a liquidi, temperature estreme e umidità elevata. Gamma di temperature operative del prodotto: 0–45°C.

Europa—Dichiarazione di conformità UE

L'apparecchio è conforme alla Direttiva 1999/5/CE riguardante le apparecchiature radio e le apparecchiature terminali di telecomunicazione.

Questo apparecchio è conforme alle seguenti norme:

Sicurezza	EN 60065/A12:2011
Salute	EN 62479:2010
EMC	EN 301 489-1 V1.8.1 EN 301 489-17 V2.1.1 EN 55013:2001+ A1:2003+ A2:2006 EN 55020:2007
Radio	EN 300 328 V1.7.1

CE0168

Registrate i vostri prodotti Beats® oggi stesso

www.beatsbydre.com/register

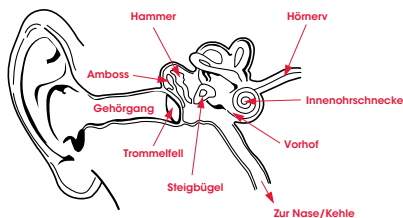


Wichtige Sicherheitsinformationen

Vernünftig hören

Um Gehörschäden zu vermeiden, achten Sie darauf, dass die Lautstärke Ihres Musik-Players leise gestellt ist, bevor Sie Ihre Kopfhörer anschließen. Nachdem Sie die Kopfhörer aufgesetzt haben, drehen Sie die Lautstärke langsam höher, bis ein angenehmer Pegel erreicht ist. Schallpegel werden in Dezibel (dB) gemessen. Schallpegel ab 85 dB können zu schrittweisem Hörverlust führen. Achten Sie darauf: Entscheidend für Hörverlust ist die Kombination von Lautstärke und Dauer. Je größer die Lautstärke, desto kürzer die Zeitspanne, während der man dieser ohne Schaden ausgesetzt sein kann. Je gedämpfter die Lautstärke, desto länger die Zeitspanne, während der man dieser ohne Schaden ausgesetzt sein kann.

Physiologie des Ohrs



Die folgende Dezibel (dB)-Aufstellung stuft alltägliche Geräusche entsprechend den durch sie verursachten potenziellen Hörschädigungen ein.

GERÄUSCH	SCHALLPEGEL (dB)	WIRKUNG
Flüstern	30	Sehr ruhig
Ruhiges Büro	50-60	Angenehme Hörpegel liegen unter 60 dB
Staubsauger, Haartrockner	70	Aufdringlich; stört Telefongespräche
Mixer	85-90	85 dB ist der Pegel, ab dem es zu Gehörschädigungen (8 Std.) kommt
Müllwagen, Betonmischmaschine	100	Es wird empfohlen, sich nicht länger als 15 Minuten lang ungeschützt Geräuschen mit 90-100 dB auszusetzen
Motorsäge, Pressluftbohrer/-hammer	110	Bei Personen, die regelmäßig über 1 Minute lang Geräuschen von über 100 dB ausgesetzt sind, können irreversible Hörschäden auftreten
Rockkonzert (unterschiedlich)	110-140	Schmerzschwelle ab etwa 125 dB

*Quelle: http://www.nidcd.nih.gov/health/education/teachers/pages/common_sounds.aspx

".... im Allgemeinen kann ein Mensch bei einer Lautstärke von 70 % 4,6 Stunden pro Tag gefahrlos iPod® hören."

".... es ist sehr wichtig, dass man weiß, bei welchem Pegel und wie lang man Musik hört."

Quelle: <http://www.cbc.ca/health/story/2006/10/19/music-earphones.html>

Nutzen Sie Ihr Gerät optimal und genießen Sie gefahrlos hervorragende Audio-Leistung. Mit unseren Kopfhörern hören Sie schon bei geringeren Lautstärken mehr Feinheiten als je zuvor.

Vernünftig verwenden

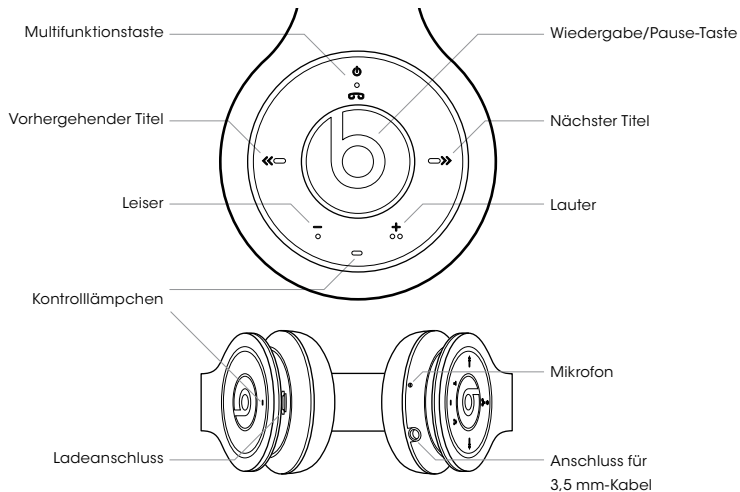
Verwenden Sie die Kopfhörer nicht, wenn das zu Gefährdungen führt – wenn Sie ein Fahrzeug lenken, eine Straße überqueren oder eine Tätigkeit ausüben bzw. in einer Umgebung tätig sind, die Ihre ganze Aufmerksamkeit erfordert.

Es ist gefährlich und auch vielerorts gesetzwidrig, mit Kopfhörern Auto zu fahren, da das die Fähigkeit senkt, lebenswichtige Geräusche außerhalb des Autos wahrzunehmen, etwa das Hupen eines anderen Verkehrsteilnehmers oder die Sirenen von Einsatzfahrzeugen. Tragen Sie Ihre Kopfhörer nicht, wenn Sie ein Auto lenken! Wenn Sie Ihre mobilen Media-Geräte nutzen möchten, verwenden Sie stattdessen einen FM-Transmitter.

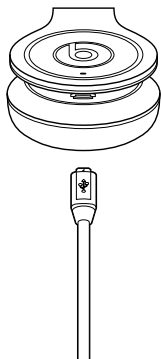
Informationen zur Bestimmung eines sicheren Pegels und andere wichtige Sicherheitsrichtlinien finden Sie auf den Websites der Consumer Electronics Association (www.ce.org) und der Deafness Research Foundation (www.drf.org).

Tasten und Teile

Das Headset enthält folgende Teile:



Bevor Sie das Headset verwenden, müssen Sie die Batterie aufladen und das Headset mit einem kompatiblen Gerät koppeln.



Batterie laden

Im Lieferumfang des Headsets ist ein Mikro-USB-Kabel enthalten, das Sie an Ihren Computer oder ein anderes zum Aufladen geeignetes Gerät anschließen können. Stecken Sie das Mikro-USB-Ende des mitgelieferten USB-Kabels am USB-Ladeanschluss unter der linken Hörmuschel des Headphones an. Schließen Sie das andere Ende an einem USB-Anschluss Ihres Computers oder eines anderen zum Aufladen geeigneten Geräts an. Das Kontrolllämpchen leuchtet während des Ladevorgangs rot. Ist der Ladevorgang beendet, leuchtet das Kontrolllämpchen grün. Der Ladevorgang dauert bei leerer Batterie eine Stunde. Eine voll aufgeladene Batterie reicht für 10 Stunden Telefonieren und/oder Musikhören, und für bis zu 100 Stunden Standby.

Hinweis:

Sie können während des Ladevorgangs Musik hören.

Warnung:

(1) Achten Sie bitte auf eine umweltgerechte Entsorgung der Batterie. Die Batterie muss wiederverwertet oder ordnungsgemäß entsorgt werden. (2) Batterien (in der Verpackung oder im Gerät) dürfen nicht extremer Hitze – also Sonne, Feuer und dgl. – ausgesetzt werden.



Anschalten

Zum Anschalten drücken Sie die Multifunktions-taste ca. zwei Sekunden lang.

Das Headset gibt eine Folge ansteigender Signaltöne aus, und das blaue Kontrolllämpchen leuchtet kurz auf. Während das Headset versucht, mit dem zuletzt verwendeten Handy oder Musik-Player zu verbinden, blinkt das rote Kontrolllämpchen langsam. Hat das Headset eine Verbindung hergestellt und ist es einsatzbereit, blinkt das blaue Kontrolllämpchen langsam. Wurde das Headset mit keinem Gerät gekoppelt, schaltet es automatisch in den Koppelmodus.

Abschalten

Zum Abschalten drücken Sie die Multifunktions-taste ca. drei Sekunden lang. Das Headset gibt eine Folge absteigender Signaltöne aus, und das rote Kontrolllämpchen leuchtet kurz auf. Wird das Headset nicht binnen 10 Minuten mit einem Gerät verbunden, schaltet es automatisch aus.

Koppeln

1. Ihr Handy oder Musik-Player muss eingeschaltet sein.
2. Soll das Headset erstmals mit einem Gerät gekoppelt werden, schalten Sie es an. Das Headset wechselt in den Koppelmodus, und das rote und das blaue Kontrolllämpchen blinkt schnell. Wurde das Headset bereits einmal mit einem anderen Gerät gekoppelt, drücken Sie am ausgeschalteten Headset die Multifunktions-taste und halten Sie diese – ca. 5 Sekunden lang – gedrückt, bis das blaue und das rote Kontrolllämpchen rasch zu blinken beginnt.
3. Aktivieren Sie die Bluetooth®-Funktion Ihres Handys oder Musik-Players und starten Sie dort die Suche nach Bluetooth®-Geräten.
4. Wählen Sie aus der Liste der durch Ihr Handy oder Ihren Musik-Player gefundenen Geräte "Beats Wireless™" aus.
5. Geben Sie falls erforderlich den Kenncode 0000 ein, um das Headset mit Ihrem Gerät zu koppeln und zu verbinden.

Lautstärke anpassen

Um die Lautstärke des Headsets anzupassen, drücken Sie während eines Gesprächs oder während des Musikhörens die "Lauter"- oder "Leiser"-Taste. Für schnelles Anpassen der Lautstärke halten Sie eine der beiden Tasten gedrückt.

Warnung

Übermäßiger Schalldruck aus Ohrhörern oder Kopfhörern kann Hörschäden verursachen.

Technische Daten

Beats Wireless™ ermöglicht freihändiges Telefonieren mit kompatiblen Handys und Musikhören von kompatiblen Musik-Playern in einem Umkreis von 10 Metern.

Das Headset entspricht der Bluetooth®-Spezifikation 2.1 + EDR und unterstützt folgende Profile: Headset Profile (HSP) V 1.2, Hands-Free Profile (HFP) V 1.5, Advanced Audio Distribution Profile (A2DP) V 1.0 und Audio Video Remote Control Profile (AVRCP) V 1.0. Eingangsleistung 5 V Gleichstrom, 0,5 A.

Telefongespräche

Um bei verbundenem Headset zu telefonieren, verwenden Sie Ihr Handy wie üblich. Zur Aktivierung der Sprachwahl drücken Sie (falls Ihr Handy diese Headset-Funktion unterstützt), wenn kein Gespräch in Gang ist, die Multifunktionstaste zweimal rasch hintereinander, bis das Handy die Sprachwahl startet, und gehen Sie dann wie in der Bedienungsanleitung Ihres Handys beschrieben vor. Wenn Sie einen Anruf annehmen oder beenden möchten, drücken Sie kurz die Multifunktionstaste.

Möchten Sie einen Anruf abweisen, so drücken Sie die Multifunktionstaste ca. zwei Sekunden lang. Um das Mikrofon während eines Telefonats stummzuschalten oder die Stummschaltung aufzuheben, drücken Sie die Wiedergabe/Pause-Taste. Wenn Sie ein (laufendes) Gespräch vom Headset auf das verbundene Handy legen möchten, drücken Sie die Multifunktionstaste und halten Sie diese ca. zwei Sekunden lang gedrückt. Wenn Sie ein (laufendes) Gespräch vom Handy auf das Headset legen möchten, drücken Sie die Multifunktionstaste und halten Sie diese ca. zwei Sekunden lang gedrückt.

Verbindung trennen

Um die Verbindung zwischen dem Headset und Ihrem Gerät zu trennen, schalten Sie das Headset aus oder trennen Sie die Verbindung im Bluetooth®-Menü des Geräts.

Headset wieder verbinden

Um das Headset mit dem zuletzt verwendeten Handy oder Musik-Player zu verbinden, schalten Sie das Headset an bzw. stellen Sie die Verbindung im Bluetooth®-Menü des Geräts wieder her.

Musik hören

Wenn Sie Musik hören möchten, verbinden Sie das Headset mit einem kompatiblen Musik-Player, der das A2DP Bluetooth™-Profil unterstützt. Es hängt von Ihrem Musik-Player ab, welche Musik-Funktionen zur Verfügung stehen. Wenn Sie während des Musikhörens ein Gespräch annehmen oder anrufen, wird die Musik bis zum Ende des Gesprächs auf Pause geschaltet. Wenn Sie eine bestimmte Nummer spielen wollen, wählen Sie diese im Musik-Player aus und drücken Sie die Wiedergabe/Pause-Taste am Beats Wireless™-Headset. Wenn Sie die Wiederhabe einer Nummer anhalten oder fortsetzen möchten, drücken Sie die Wiedergabe/Pause-Taste. Wenn Sie während der Wiedergabe die nächste Nummer auswählen möchten, drücken Sie kurz die "Nächster Titel"-Taste. Um die vorherige Nummer auszuwählen, drücken Sie kurz die "Vorhergehender Titel"-Taste (ein- oder zweimal). Um in der aktuellen Nummer vor- oder zurückzuspulen, halten Sie eine der beiden Tasten gedrückt.

Einstellungen löschen oder Zurücksetzen

Um die Kopplungseinstellungen des Headsets zu löschen, schalten Sie das Headset aus und drücken sie die Multifunktions- und die "Leiser"-Taste und halten Sie beide (mindestens acht Sekunden lang) gedrückt, bis abwechselnd je dreimal die rote und die blaue Kontrolllampe aufleuchtet. Um das Headset zurückzusetzen, verbinden Sie es mit einem Ladegerät und drücken Sie zugleich die Multifunktions- und die "Lauter"-Taste.

Passiver Modus

Sie können, um Batterie zu sparen, das Beats Wireless™ auch mit Kabel verwenden. Schließen Sie einfach ein Ende des mitgelieferten CTU-Kabels unten an der Hörmuschel und das andere an Ihrem MP3-Player an. Das Anschließen eines Audiokabels schaltet die Wireless-Funktionalität ab.

Verwendung des Remote-Mikrofons

Beats Wireless™ wird mit einem praktischen Remote-Mikrofon-Kabel geliefert, das Ihnen freihändiges Telefonieren ermöglicht, wenn keine Bluetooth®-Verbindung zur Verfügung steht. Manche Funktionen sind vom Handy-Modell abhängig. Lesen Sie bitte in der Bedienungsanleitung Ihres Handys nach.

Folgende Funktionen stehen zur Verfügung:

- Wiedergabe ▶

iPod®, iPhone® & iPad®

HTC, Blackberry & Android

- Pause ||

- Nächster / Vorhergehender Titel ▶▶ ◀◀

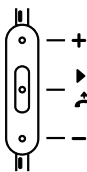
- Vorlauf / Rücklauf ▶▶▶▶ ◀◀◀◀

- Gespräch annehmen ⤴

- Gespräch beenden ⤵

- Stimmbefehl Ⓜ

- Lautstärkenregelung + -



Hinweis: Die Funktionen hängen vom jeweils verwendeten Gerät ab.

Musik-/Video-Wiedergabe oder Pause: Drücken Sie die mittlere Taste und lassen Sie sie los. Drücken Sie die Taste nochmals, um fortzusetzen.

Einen Titel vorwärts oder rückwärts springen: Drücken Sie die mittlere Taste zweimal rasch hintereinander, um zum nächsten Titel zu springen. Drücken Sie sie dreimal rasch hintereinander, um zum vorhergehenden Titel zu springen.

In einem Song oder Video vorwärts oder rückwärts suchen: Drücken Sie die mittlere Taste zweimal und halten Sie sie beim zweiten Mal gedrückt, um im Schnelllauf vorwärts zu suchen. Um die Suche zu beenden, lassen Sie die Taste los. Um rückwärts zu suchen, drücken Sie die mittlere Taste dreimal und halten Sie sie beim dritten Mal gedrückt.

Gespräch annehmen oder beenden: Drücken Sie die mittlere Taste und lassen Sie sie los, um ein Gespräch entgegenzunehmen. Drücken Sie nochmals, um das Gespräch zu beenden.

Eingehendes Gespräch ablehnen: Drücken Sie die mittlere Taste, halten Sie sie zwei Sekunden lang gedrückt und lassen Sie sie dann los. Wenn Sie loslassen, ertönt ein zweifacher Piepton, um anzuzeigen, dass das Gespräch erfolgreich abgelehnt wurde.

Stimmbefehl: Drücken und halten Sie die mittlere Taste, bis die Stimmaktivierung erfolgt. Die Funktionen hängen vom jeweils verwendeten Gerät ab.

Lautstärkenregelung: Drücken Sie die obere Taste, um die Lautstärke zu erhöhen. Drücken Sie die untere Taste, um die Lautstärke zu senken. Die Funktionen hängen vom jeweils verwendeten Gerät ab.

FCC-Warnung

FCC-ID: COW81000012

Dieses Gerät erfüllt die Bestimmungen von Abschnitt 15 der FCC-Vorschriften. Der Betrieb unterliegt folgenden Bedingungen: (1) Das Gerät darf keine schädlichen Störungen verursachen und (2) das Gerät muss empfangene Störungen aller Art annehmen, auch wenn diese einen unerwünschten Betrieb bewirken. Änderungen und Umbauten, die von der für die Konformität verantwortliche Partei nicht ausdrücklich genehmigt wurden, könnten die Befugnis des Benutzers zur Nutzung des Geräts aufheben. Das Anschließen von Peripheriegeräten setzt die Verwendung geerdeter, abgeschirmter Signalkabel voraus. Die Steckdose muss sich in der Nähe des Geräts befinden und leicht zugänglich sein.

Hinweis

Dieses Gerät wurde geprüft und entspricht den Grenzwerten für ein Digitalgerät der Klasse B gemäß Teil 15 der FCC-Bestimmungen. Diese Grenzwerte dienen dem angemessenen Schutz vor schädlichen Störungen in Wohnanlagen. Da dieses Produkt Funkfrequenzenergie erzeugt, verwendet und u. U. ausstrahlt, kann eine Installation und Benutzung entgegen der Anweisungen Störungen im Funkverkehr verursachen. Es kann allerdings nicht garantiert werden, dass bei ordnungsgemäßer Installation keine Störungen auftreten. Erzeugt dieses Gerät schädliche Störungen des Funk- oder Fernsehempfangs, was sich durch Ein- und Ausschalten des Geräts feststellen lässt, sollte der Benutzer versuchen, auf eine der folgenden Weisen die Störung zu beheben:

- Ändern der Ausrichtung oder Position der Empfangsantenne

- Erhöhen des Abstands zwischen Gerät und Empfänger
- Anschließen des Geräts und des Empfängers an unterschiedliche Stromkreise
- Bitten Sie den Händler oder einen erfahrenen Radio- oder Fernsehtechniker um Hilfe

Vorsicht

Änderungen und Umbauten, die von der für die Konformität verantwortlichen Partei nicht ausdrücklich genehmigt wurden, könnten Ihre Befugnis zur Nutzung des Geräts aufheben.

Nicht bei extremen Temperaturen lagern. Vor Flüssigkeiten, Temperaturschwankungen und hoher Feuchtigkeit schützen. Der Betriebstemperaturbereich des Produkts reicht von 0–45 °C.

Europa— EU-Konformitätserklärung

Das Gerät entspricht der Richtlinie 99/5/EG über Funkanlagen und Telekommunikationsendeinrichtungen.

Dieses Gerät entspricht den folgenden Standards:

Sicherheit	EN 60065/A12:2011
Gesundheit	EN 62479:2010
EMV	EN 301 489-1 V1.8.1 EN 301 489-17 V2.1.1 EN 55013:2001+ A1:2003+ A2:2006 EN 55020:2007
Funk	EN 300 328 V1.7.1

CE0168

Melden Sie Ihre Beats® noch heute an!

www.beatsbydre.com/register

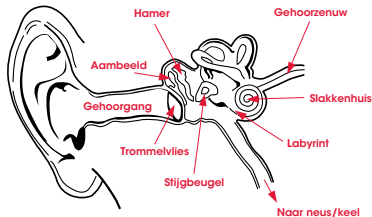


Belangrijke veiligheidsinformatie

Luister verantwoord

Zorg ervoor dat het geluid op uw muzikspeler omlaag is gedraaid voordat u uw hoofdtelefoon aansluit om gehoorschade te voorkomen. Nadat u de hoofdtelefoon in/op uw oren hebt geplaatst, draait u het volume geleidelijk omhoog totdat u een comfortabel luisterniveau bereikt. Geluidsniveaus worden gemeten in decibel (dB). Blootstelling aan geluiden op of boven 85 dB kan geleidelijk gehoorverlies veroorzaken. Bewaak uw gebruik; gehoorverlies is een functie van luidheid versus tijd. Hoe luider het geluid is, hoe minder lang u eraan blootgesteld kunt zijn. Hoe zachter het geluid is, hoe langer u ernaar kunt luisteren.

Fysiologie van het oor



Nederlands

Deze decibel (dB)-tabel vergelijkt een aantal veelvoorkomende geluiden en laat zien hoe deze zich verhouden tot potentiële schade aan het gehoor.

GELUID	GELUIDS-NIVEAU (dB)	EFFECT
Fluisteren	30	Zeer stil
Stil kantoor	50 - 60	Comfortabele luisterniveaus zijn lager dan 60 dB
Stofzuiger, haardroger	70	Indringend; hindert telefoongesprekken
Keukenmachine	85 - 90	85 dB is het niveau waarop gehoorschade (8 uur) begint
Vuilniswagen, cementmolen	100	Niet meer dan 15 minuten onbeschermd blootstelling aangeraden voor geluiden tussen 90 - 100 dB
Cirkelzaag, drillboor/ pneumatische boor	110	Regelmatige blootstelling aan geluid boven 100 dB langer dan 1 minuut geeft risico op permanent gehoorverlies
Rockconcert (wisselend)	110 - 140	De pijngrens begint rond 125 dB

*Grafiek informatie van http://www.nidcd.nih.gov/health/education/teachers/pages/common_sounds.aspx

Nederlands

"... een gemiddeld persoon kan veilig 4,6 uur per dag op een volume van 70% naar een iPod® luisteren."

"... weten hoe hoog de niveaus zijn van de muziek waarnaar u luistert en hoe lang u dat doet, is uitzonderlijk belangrijk."

Van <http://www.cbc.ca/health/story/2006/10/19/music-earphones.html>

Haal het meeste uit uw apparatuur en geniet van geweldige audioprestaties, zelfs op een veilig niveau. Dankzij onze hoofdtelefoons kunt u meer details horen bij een lagere geluidssterkte dan ooit tevoren.

Gebruik verantwoord

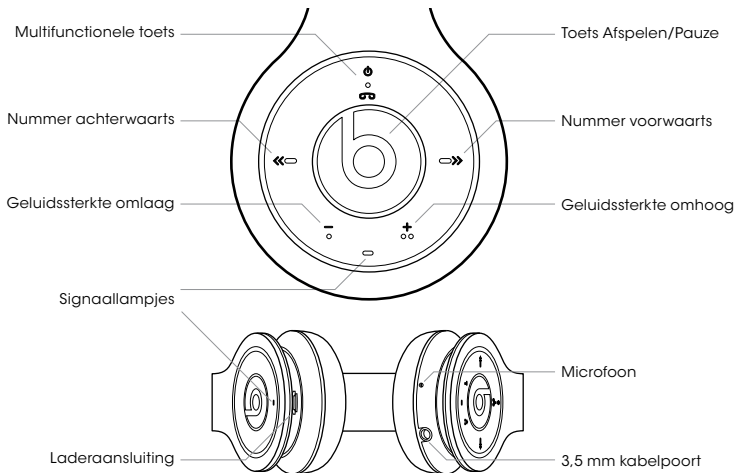
Gebruik geen hoofdtelefoon wanneer dit niet veilig is, terwijl u een voertuig bestuurt, de straat oversteekt of tijdens een activiteit of in een omgeving waar u uw aandacht volledig bij uw omgeving moet houden.

Het is gevaarlijk, en op veel plekken illegaal, om te rijden terwijl u een hoofdtelefoon draagt, omdat het uw kansen om levensreddende geluiden buiten uw voertuig te horen, zoals de claxon van een andere auto of sirenes van noodhulpvoertuigen, verlaagt. Zorg dat u uw hoofdtelefoon niet draagt terwijl u rijdt. Gebruik in plaats daarvan een FM-zender om naar uw mobiele media-apparatuur te luisteren.

Leer hoe u een veilig luisterniveau kunt vaststellen en bekijk andere belangrijke veiligheidsrichtlijnen van de Consumer Electronics Association (Amerikaanse associatie voor consumentenelektronica) op www.ce.org en de Deafness Research Foundation (Amerikaanse organisatie voor doofheidsonderzoek) op www.drf.org.

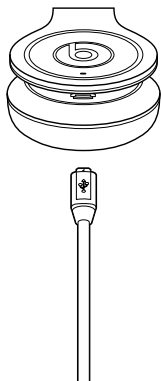
Toetsen en onderdelen

De hoofdtelefoon bevat de volgende onderdelen:



Voordat u de hoofdtelefoon gebruikt, moet u de batterij laden en de hoofdtelefoon met een compatibel apparaat koppelen.

De batterij laden



De hoofdtelefoon heeft een micro-USB-kabel die op uw computer of ander apparaat kan worden aangesloten dat geschikt is voor laden via USB. Steek het micro-USB-einde van de meegeleverde USB-kabel in het ladercontact van de micro-USB-poort onder de linkeroorschelp van de hoofdtelefoon. Steek het andere einde in een USB-poort op uw computer of andere apparaten die geschikt zijn voor het laden via USB. Het signaallampje is tijdens het laden rood verlicht. Wanneer deze volledig is opgeladen, is het signaallampje groen. De laadtijd voor een lege batterij is één uur. Een volledig geladen batterij heeft voeding voor 10 uur spreken en/of muziek beluisteren en max. 100 uur stand-bytijd.

Opmerking:

U kunt nog steeds uw muziek beluisteren, terwijl u uw hoofdtelefoon laadt.

Waarschuwing:

- (1) Houd rekening met de milieuaspecten, wanneer u de batterij weggooit. De batterij moet worden gerecycled of op de juiste manier worden weggegooid.
- (2) Batterijen (accu's of ingebouwde batterijen) mogen niet aan overmatige warmte worden blootgesteld; zoals zonneschijn, vuur en dergelijke.

Inschakelen



Druk op de multifunctionele toets en houd deze circa twee seconden ingedrukt om in te schakelen.

De hoofdtelefoon piept met steeds hogere tonen en het blauwe signaallampje wordt kort weergegeven. Wanneer de hoofdtelefoon probeert met de laatst gebruikte telefoon of muzikspeler een verbinding tot stand te brengen, knippert het rode signaallampje langzaam. Wanneer de hoofdtelefoon met een apparaat is verbonden en klaar is voor gebruik, knippert het blauwe signaallampje langzaam. Als de hoofdtelefoon niet met een apparaat is gekoppeld, gaat deze automatisch naar de modus Pairing.

Uitschakelen

Druk op de multifunctionele toets en houd deze gedurende drie seconden ingedrukt om uit te schakelen. De hoofdtelefoon laat steeds lagere piepjes horen en het rode signaallampje is kort verlicht. Als de hoofdtelefoon niet binnen 10 minuten op een apparaat is aangesloten, schakelt deze automatisch uit.

Pairing

1. Controleer of uw telefoon of muziekspeler is ingeschakeld.
2. Schakel de hoofdtelefoon in om de hoofdtelefoon te koppelen, als deze niet eerder met een apparaat was gekoppeld. De hoofdtelefoon gaat naar de modus Pairing en de blauwe en rode signaallampjes gaan snel knipperen. Om de hoofdtelefoon te koppelen als deze eerder met een ander apparaat was gekoppeld, controleer dan of de hoofdtelefoon is uitgeschakeld, druk op de multifunctionele toets en houd deze ingedrukt (ongeveer vijf seconden) totdat de blauwe en rode signaallampjes snel gaan knipperen.
3. Schakel de Bluetooth®-functie op uw telefoon of muziekspeler in en stel deze in op Zoeken naar Bluetooth®-apparaten.
4. Selecteer "Beats Wireless™" uit de lijst met gevonden apparaten op uw telefoon of muziekspeler.
5. Voer, indien nodig, toegangscode 0000 in om de hoofdtelefoon met uw apparaat te koppelen en te verbinden.

Geluidssterkte aanpassen

Druk op de toets Geluidssterkte omhoog of omlaag tijdens een telefoongesprek of terwijl u muziek beluistert om de geluidssterkte van de hoofdtelefoon aan te passen. Druk op één van beide toetsen en houd deze ingedrukt om de geluidssterkte snel aan te passen.

Waarschuwing

Een overmatige geluidsdruk van oortelefoons en hoofdtelefoons kan gehoorverlies veroorzaken.

Specificaties

Beats Wireless™ kan handsfree telefoneren en oproepen beantwoorden met uw compatibele mobiele telefoon en muziek beluisteren op een compatibele muzikspeler. Deze moeten echter binnen een afstand van 10 meter van elkaar zijn verwijderd.

De hoofdtelefoon voldoet aan Bluetooth®-specificatie 2.1 + EDR-ondersteuning voor de volgende profielen: Headset Profile (HSP) V 1.2, Hands-Free Profile (HFP) V 1.5, Advanced Audio Distribution Profile (A2DP) V 1.0, en Audio Video Remote Control Profile (AVRCP) V 1.0. Ingangsvermogen 5V DC, 0,5A.

Nederlands

Telefoneren

Om te telefoneren gebruikt u uw mobiele telefoon op de normale manier wanneer uw hoofdtelefoon ermee is verbonden. Om spraakkiezen te activeren (als uw telefoon deze functie met de hoofdtelefoon ondersteunt) wanneer er niet wordt gebeld, drukt u twee keer snel op de multifunctionele toets totdat de telefoon begint met spraakkiezen. Ga dan verder zoals in de gebruikershandleiding van de telefoon wordt beschreven. Om een telefoongesprek te beantwoorden of te beëindigen drukt u snel op de multifunctionele toets.

Om een telefoongesprek te weigeren drukt u op de multifunctionele toets en houdt u deze circa twee seconden ingedrukt. Voor het dempen of het dempen ongedaan maken tijdens een telefoongesprek drukt u op de toets Afspelen/Pauze. Voor het doorschakelen van een (lopend) telefoongesprek van de hoofdtelefoon naar de verbonden telefoon drukt u op de multifunctionele toets en houdt deze circa twee seconden ingedrukt. Voor het doorschakelen van een (lopend) telefoongesprek van de telefoon naar de hoofdtelefoon drukt u op de multifunctionele toets en houdt deze circa twee seconden ingedrukt.

De hoofdtelefoon ontkoppelen

Schakel de hoofdtelefoon uit of verbreek de verbinding in het Bluetooth®-menu van uw apparaat om de hoofdtelefoon van uw apparaat te ontkoppelen.

De hoofdtelefoon opnieuw verbinden

Schakel de hoofdtelefoon in of breng een verbinding tot stand in het Bluetooth®-menu van uw apparaat om de hoofdtelefoon met de telefoon of de muzikspeler die u het laatst ermee hebt gebruikt, te verbinden.

Muziek beluisteren

Sluit de hoofdtelefoon aan op een compatibele muziekspeler die het A2DP Bluetooth®-profiel ondersteunt om muziek te beluisteren. De beschikbare muziekfuncties zijn afhankelijk van uw muziekspeler. Als u een telefoongesprek ontvangt of belt terwijl u muziek beluistert, wordt de muziek gepauzeerd totdat het telefoongesprek is beëindigd. Selecteer voor het afspelen van een song in de muziekspeler en druk op de toets Afspelen/Pauze op de Beats Wireless™ hoofdtelefoon. Druk op de toets Afspelen/Pauze om te pauzeren of verder te gaan met het afspelen van de song. Druk snel op de toets Volgend nummer (track forward) om de volgende song tijdens het afspelen te selecteren. Druk snel (één of twee keer) op de toets Vorig nummer (track back) om de vorige song te selecteren. Druk op één van beide toetsen en houd deze ingedrukt om snel door uw huidige song te "bladeren".

Instellingen wissen of resetten

Om de koppelinstellingen van de hoofdtelefoon te wissen, schakelt u de hoofdtelefoon uit en drukt op de multifunctionele en Geluidssterkte omlaag toetsen. Houd deze (ruim acht seconden) ingedrukt totdat de rode en blauwe signaallampjes afwisselend drie keer worden verlicht. Om de hoofdtelefoon te resetten sluit u de hoofdtelefoon aan op een lader en drukt u zowel op de multifunctionele als op de Geluidssterkte omhoog-toetsen.

Passieve modus

U kunt Beats Wireless™ gebruiken als bedrade hoofdtelefoon om batterijen te sparen. Sluit gewoon één einde van de meegeleverde CTU-kabel aan op de onderkant van de oorschelp en het andere op uw MP3-speler. Door een audiokabel in te steken wordt de draadloze functie uitgeschakeld.

De externe microfoon gebruiken

Beats Wireless™ wordt geleverd met een handige, externe microfoonkabel. Daarmee kunt u telefoongesprekken aannemen en handsfree spreken wanneer de Bluetooth®-verbinding niet toegankelijk is. Er zijn functies die per telefoonmodel verschillen. Raadpleeg de gebruiksaanwijzing van uw telefoon.

De functies zijn:

- Afspelen ▶

- Pauze II

- Voorwaarts/achterwaarts overslaan ▶▶▶▶

- Voorwaarts/achterwaarts scannen ▶▶▶▶

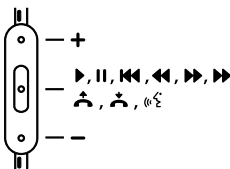
- Beantwoorden 📞

- Telefoongesprek beëindigen 📞

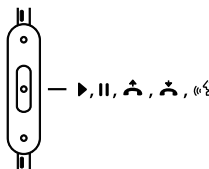
- Spraakopdracht 🗣️

- Geluidsterkeregeling + -

iPod®, iPhone® & iPad®



HTC, Blackberry & Android



Opmerking: de functionaliteit kan per apparaat verschillen.

Een song of video afspelen of pauzeren: druk op de middelste toets en laat deze los. Herhaal dit om verder te gaan.

Nummer overslaan of achterwaarts naar de volgende song of video: druk snel twee keer op de middelste toets en laat deze los om naar het volgende nummer te gaan. Druk snel drie keer op de middelste toets en laat deze los om naar het vorige nummer te gaan.

Voor- of achterwaarts door een song of video scannen: druk in een snelle beweging twee keer op de middelste knop, houd de tweede keer ingedrukt om voorwaarts te scannen. Loslaten wanneer u wilt stoppen met scannen. Druk in een snelle beweging drie keer op de middelste knop, houd de derde keer ingedrukt om achterwaarts te scannen.

Een telefoongesprek beantwoorden of beëindigen: druk op de middelste knop en laat los om te beantwoorden. Herhaal dit om het telefoongesprek te beëindigen.

Een inkomend telefoongesprek weigeren: houd de middelste knop gedurende twee seconden ingedrukt en laat vervolgens los. Er weerklinken twee piepen wanneer u loslaat, om aan te geven dat de bediening is gelukt.

Spraakopdracht: houd de middelste knop ingedrukt totdat de spraakactivering wordt gestart. De functionaliteit verschilt per apparaat.

Geluidssterkte regelen: druk op de bovenste knop om de geluidssterkte te verhogen. Druk op de onderste knop om de geluidssterkte te verlagen. De functionaliteit verschilt per apparaat.

FCC-waarschuwing

FCC-ID: COF81000012

Dit toestel voldoet aan Deel 15 van de FCC-regels. De werking is onderworpen aan de volgende twee voorwaarden: (1) dit apparaat mag geen schadelijke interferentie veroorzaken, en (2) dit apparaat moet alle ontvangen interferentie aanvaarden, met inbegrip van interferentie die een ongewenste werking kan veroorzaken. Wijzigingen of modificaties die niet uitdrukkelijk zijn goedgekeurd door de partij die verantwoordelijk is voor naleving kan de bevoegdheid van de gebruiker om de apparatuur te bedienen ongeldig maken. Voor het aansluiten van randapparatuur is het gebruik van gearde, afgeschermd signaalkabels nodig. Het stopcontact dient zich in de buurt van de apparatuur te bevinden en gemakkelijk toegankelijk te zijn.

Let op

Deze apparatuur is getest en voldoet aan de limieten voor een Klasse B digitaal apparaat, conform Deel 15 van de FCC-regels. Deze limieten zijn ontworpen om een redelijke bescherming te bieden tegen schadelijke interferentie in een installatie in een woning. Dit apparaat genereert, gebruikt en kan radiofrequente energie uitstralen en kan, indien niet geïnstalleerd en gebruikt volgens de instructies, schadelijke interferentie voor radioverbindingen veroorzaken. Er is echter geen garantie dat er geen interferentie in een bepaalde installatie zal optreden. Als dit apparaat schadelijke interferentie bij radio- of televisieontvangst veroorzaakt, wat kan worden vastgesteld door de apparatuur in- en uit te schakelen, wordt de gebruiker verzocht de interferentie via één of meerdere van de volgende maatregelen te corrigeren:

Nederlands

- Richt de ontvangstantenne opnieuw of verplaats deze.
- Vergroot de afstand tussen de apparatuur en de ontvanger.
- Sluit de apparatuur aan op een stopcontact in een ander circuit dan het circuit waarop de ontvanger is aangesloten.
- Neem voor hulp contact op met de dealer of een ervaren radio-/tv-technicus.

Pas op

Wijzigingen of modificaties die niet uitdrukkelijk zijn goedgekeurd door de partij die verantwoordelijk is voor naleving, kan de bevoegdheid van de gebruiker (of van u) om de apparatuur te bedienen ongeldig maken.

Bewaar het apparaat niet in een uiterst warme of koude omgeving. Voorkom blootstelling aan vloeistoffen, temperatuuruitsteren en een hoge vochtigheid. Het werktemperatuurbereik van het product is 0 – 45 °C (32 – 113 °F).

Nederlands

Europa—EU-verklaring van conformiteit

De apparatuur is in overeenstemming met de Richtlijn Eindapparatuur voor radio- en telecommunicatie 1999/5/EG.

Deze apparatuur voldoet aan de volgende conformiteitsnormen:

Veiligheid	EN 60065/A12:2011
Gezondheid	EN 62479:2010
EMC	EN 301 489-1 V1.8.1 EN 301 489-17 V2.1.1 EN 55013:2001+ A1:2003+ A2:2006 EN 55020:2007
Radio	EN 300 328 V1.7.1

CE0168

Registreer vandaag nog uw Beats®

www.beatsbydre.com/register

www.beatsbydre.com

 facebook.com/beatsbydre

 twitter: @beatsbydre

Beats Electronics, LLC

1601 Cloverfield Blvd

Suite 5000N

Santa Monica

CA 90404

beats by dr. dre.