

Quick Start Guide

NWZ-A15/A17



About the manuals

To see the detailed information about WALKMAN®, access to Help Guide on the internet.

http://rd1.sony.net/help/dmp/nwza10/h_ww/

While browsing is free, you may be charged a communication fee according to your carrier contract.



Regarding the basic operations, the customer support website URL and Important Information, refer to "How to Install and Read the Help Guide" section on this manual.



* 4 5 4 0 3 0 5 1 1 * (1)

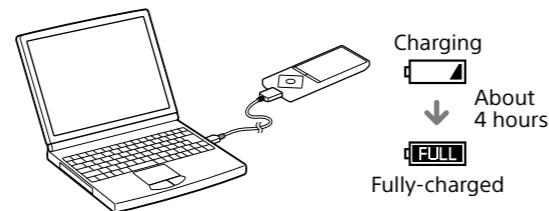
Contents

Please check the items in the package.

- Walkman (1)
 - USB cable (1)
 - Quick Start Guide (this manual)
- Headphones and microSD card are not supplied with your Walkman.

Charging the Battery

The battery for your Walkman is recharged while the Walkman is connected to a running computer.



When your Walkman has been fully charged, disconnect it from the computer.

Note

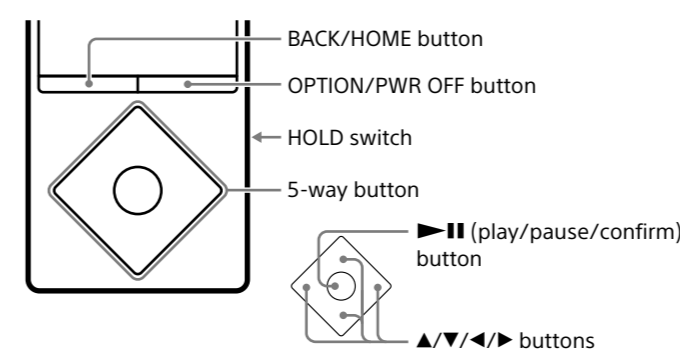
- To prevent battery deterioration, charge the battery at least once every six months or every year.

How to Install and Read the Help Guide

Install the "Help Guide" on your computer. This contains basic operations of your Walkman, the customer support website URL, and how to transfer content such as music to the Walkman.

- 1 Connect your Walkman to a running computer.**
- 2 Open the following folders and double-click the executable file on your Walkman.**
 - Windows 7 or earlier: [Start] - [Computer] - [WALKMAN] - [FOR_WINDOWS] - [Help_Guide_Installer(.exe)].
 - Windows 8: [Start screen] - [Desktop] - [File Explorer] - [Computer] - [WALKMAN] - [FOR_WINDOWS] - [Help_Guide_Installer(.exe)].
 - Windows 8.1: [Desktop] - [File Explorer] - [This PC] - [WALKMAN] - [FOR_WINDOWS] - [Help_Guide_Installer(.exe)].
 - Mac: [Finder] - [WALKMAN] - [FOR_MAC] - [Help_Guide_Installer_for_mac].
- 3 Follow the on-screen instructions to complete the installation.**
- 4 To read the Help Guide, double-click the shortcut or the alias icon generated on your computer.**

How to Use your Walkman



Turning the power On and Off

Turning the power on

Slide the HOLD switch in the direction opposite to that of the arrow and press any button.

Selecting the display language

Select the display language before transferring content.

- 1 From the Home menu, select [Settings].**
- 2 Select [Language Settings] - Desired language setting.**

Turning the power off

Press and hold the OPTION/PWR OFF button.

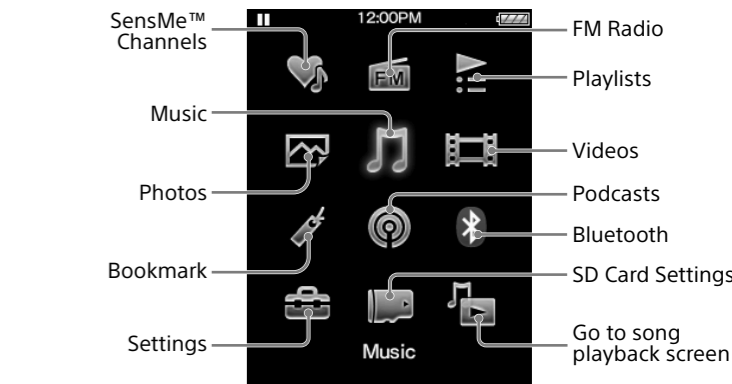
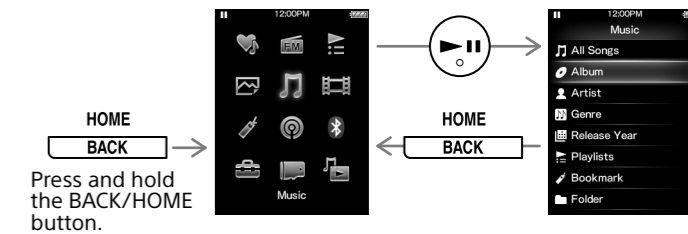
Hint

- If there is no operation, the screen will be turned off. To turn on the screen, press the BACK/HOME button.
- If there is no operation for an extended period, your Walkman will be turned off automatically.

How to Use the Home Menu

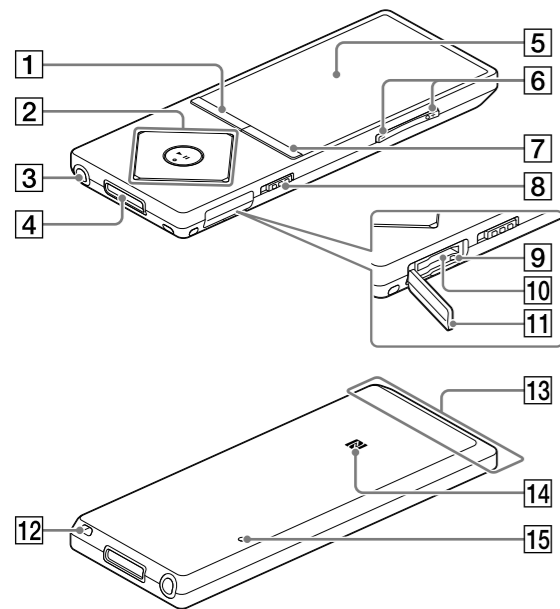
The Home menu appears when you press and hold the BACK/HOME button. The Home menu is the starting point to play audio, search for songs, change settings, etc.

From the Home menu, you can select the desired item on the screen by using the 5-way button.



The screens and illustrations shown are for reference only and may differ from the actual product or screen.

Parts and Controls



1 BACK/HOME button

2 5-way button*1



3 Headphone jack

4 WM-PORT jack

Connect the USB cable (supplied) or peripheral devices (not supplied).

5 Display

6 VOL (Volume) +*1/- button

Press the VOL + button to turn up and the VOL – button to turn down the volume.

7 OPTION/PWR OFF (Option/Power off) button

Press to display the option menu.

If you press and hold this button, the screen turns off and your Walkman enters standby mode.

8 HOLD switch

9 Access lamp

10 microSD card slot

Insert a microSD card until it clicks into place.

11 Slot cover

12 Strap hole

13 Built-in Bluetooth antenna

14 N-mark

15 RESET button

Use a pen or paper clip, etc.

*1 There are tactile dots. Use them to help with button operations.

About volume operation (Only for countries/areas complying with European Directives)

An alarm (beep) and a warning [Check the volume level] are meant to protect your ears when you turn the volume up to a level that is harmful for your ears for the first time. You can cancel the alarm and warning by pressing any button.

Note

- You can turn up the volume after canceling the alarm and warning.
- After the initial warning, the alarm and warning repeat every 20 cumulative hours that the volume is set to a level that is harmful for your ears. When this happens, the volume is turned down automatically.
- If the volume is set to a level that is harmful for your ears and you turn off the Walkman, the volume is turned down to a level that is safe for your ears automatically.

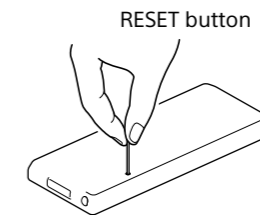
Troubleshooting

If your Walkman does not function as expected, try the following steps to resolve the issue.

1 Find the symptoms of the issue in “Troubleshooting” in the Help Guide (HTML document), and try any corrective actions listed.

2 Connect your Walkman to your computer to charge the battery.

3 Press the RESET button with a pen or paper clip, etc.



Symptom & Remedy

Your Walkman cannot charge the battery or is not recognized on your computer.

- The USB cable (supplied) is not connected to a USB connector on your computer properly. Disconnect the USB cable, and then reconnect it.
- Use the supplied USB cable.
- When you use your Walkman for the first time, or if you have not used the Walkman for a long time, it may take a few minutes to be recognized by the computer. Check that the computer recognizes the Walkman after you have connected it to the computer for about 10 minutes.

Your Walkman does not operate or the power does not turn on.

- You cannot operate your Walkman while it is connected to a computer. Disconnect the Walkman from a computer.

Precautions

Information on laws and trademarks

For information on laws, regulations and trademark rights, refer to “Important Information” contained in the supplied software. To read it, install the supplied software on your computer.

About the headphones

- Avoid playing the unit at so loud a volume that extended play might affect your hearing.
- At a high volume outside sounds may become inaudible. Avoid listening to the unit in situations where hearing must not be impaired, for example, while driving or cycling.
- As the headphones are of open-air design, sounds go out through the headphones. Remember not to disturb those close to you.

Owner’s Record

The model and serial numbers are located on the back of the player. Record them in the space provided below. Refer to these numbers in the spaces whenever you call upon your Sony dealer regarding this product.

Model No. _____

Serial No. _____

Design and specifications are subject to change without notice.